

PRODUCT NOTE

CHANGE NOTICE

DWG. NO. **31057D98501**

TECO'S MODEL : **AEHH8B**

Revision Date	VOL.	Revised or New Material
21-Dec-04	01	Revised Pages: 3. (Performance Data Update)
22-May-07	02	Revised Pages: 3, 5, 6. (Performance Data Update)
28-May-10	03	Revised Pages: 4, 5, 6.
12-Feb-14	04	Revised Pages: 1, 2, 3, 4, 5, 6, 7, 8, 9, 10,16, 17
11-Dec-14	05	Revised Pages: 1, 2, 5, 6, 7.

TM	1
行	1
設	1
機	1
機	1
研	1



APPD.	Sam.Huang	5-Dec-14	TECO Electric & Machinery Co., Ltd.	DWG. NO.	31057D98501
CHKD.	Jim.Chang	2-Dec-14		REV. 05	
DWN.	Clive.Hung	10-Jul-14		1/2	

EFFECTIVE : 2-Jun-03

REVISED : 11-Dec-14

PRODUCT NOTE

MODEL : **AEHH8B**

NEMA / IEEE-841
 PREMIUM EFFICIENCY MOTORS
 LOW VOLTAGE SQUIRREL CAGE
 FRAME SIZE : 143T ~ 449TS

TABLE OF CONTENTS

DWG NO.	NAME	PAGES	DATE
31057D98502	SPECIFICATION TABLE	2	11-Dec-14
31057D98503	PERFORMANCE DATA	2	21-Jan-14
31057D98504	OUTLINE DIMENSIONS SHEET (F# 143T ~ 215T)	1	11-Dec-14
31057D98505	OUTLINE DIMENSIONS SHEET (F# 254T ~ 365TS)	1	11-Dec-14
31057D98506	OUTLINE DIMENSIONS SHEET (F# 404T ~ 405TS)	1	11-Dec-14
31057D98541	OUTLINE DIMENSIONS SHEET (F# 444T ~ 445 T&TS)	1	21-Jan-14
31057D98542	OUTLINE DIMENSIONS SHEET (F# 447T ~ 449 T&TS)	1	6-Feb-14
31057D98545	OUTLINE DIMENSIONS SHEET (F# 449 T&TS)	1	6-Feb-14
31057D98507	SCHEMATIC DRAWING (F# 143T ~ 145T)	1	2-Jun-03
31057D98508	SCHEMATIC DRAWING (F# 182T ~ 184T)	1	2-Jun-03
31057D98509	SCHEMATIC DRAWING (F# 213T ~ 215T)	1	2-Jun-03
31057D98510	SCHEMATIC DRAWING (F# 254T ~ 286TS)	1	2-Jun-03
31057D98511	SCHEMATIC DRAWING (F# 324T ~ 365TS)	1	2-Jun-03
31057D98512	SCHEMATIC DRAWING (F# 404T ~ 405TS)	1	2-Jun-03
31057D98543	SCHEMATIC DRAWING (F# 444T ~ 449T)	1	21-Jan-14
31057D98544	SCHEMATIC DRAWING (F# 444TS ~ 449TS)	1	21-Jan-14

TM	1	31057D98542	OUTLINE DIMENSIONS SHEET (F# 447T ~ 449 T&TS)	1	6-Feb-14
行	1	31057D98545	OUTLINE DIMENSIONS SHEET (F# 449 T&TS)	1	6-Feb-14
設	1	31057D98507	SCHEMATIC DRAWING (F# 143T ~ 145T)	1	2-Jun-03
擬	1	31057D98508	SCHEMATIC DRAWING (F# 182T ~ 184T)	1	2-Jun-03
擬	1	31057D98509	SCHEMATIC DRAWING (F# 213T ~ 215T)	1	2-Jun-03
研	1	31057D98510	SCHEMATIC DRAWING (F# 254T ~ 286TS)	1	2-Jun-03

APPD.	J.H.Kang	2-Jun-03	TECO Electric & Machinery Co., Ltd.	DWG. NO.	31057D98501
CHKD.	Sam.Huang	1-Jun-03		REV. 05	
DWN.	Clive.Huang	25-Mar-03		2/2	



ISSUED		SPECIFICATION TABLE		MODEL	
2-Jun-03				AEHH8B	
REVISED		3-PHASE INDUCTION MOTORS LOW VOLTAGE SQUIRREL CAGE		PAGE	
11-Dec-14				1 of 18	
ITEM			STANDARD SPECIFICATION		
R A T I N G	Kind of Motors		Squirrel Cage Induction Motors (SCIM) .		
	Design Standards		NEMA MG-1, MG-13, IEEE-841 .		
	Voltages		200V, 230V, 460V, 575V .		
	Frequency		60Hz .		
	Output Range		1HP ~ 350HP .		
	R.P.M. (Syn.)		3600, 1800, 1200 and 900 R.P.M. (2, 4, 6 and 8 Poles) .		
	Time Duty		Continuous, S.F. 1.15 .		
	Frame Size		143T ~ 449TS .		
	Protection Enclosure		Totally Enclosed IP55.		
	Cooling Method		Self External Fan, Surface Cooling (IC 411) .		
Mounting		Horizontal Foot Mounting F-1, F-1 and F-2 Interchangeable .			
A P P L I C A T I O N	Power Condition		Voltage : $\pm 10\%$, Frequency : $\pm 5\%$, And $\pm 10\%$ of Combined Voltage and Frequency, But Frequency Variation Does Not Exceed $\pm 5\%$.		
	Environment Conditions		Place : Non-Hazardous, Ambient Temperature : $-25^{\circ}\text{C} \sim 40^{\circ}\text{C}$, Relative Humidity : Less Than 90%RH (Non-Condensation), Altitude : Less than 3,300 ft .		
	Hazardous Location		Class I Division 2 Group B,C and D. Temp. Code T3C.		
	Drive Method		143T~405T For Direct and Belt Drive Application, However for 2-Pole 25HP and Larger (Ts Frame) Direct-Coupling Service Only 444T~449T For Direct - Coupling Service		
	Direction of Rotation		Bi - Directional .		
	Method of Starting		Full Voltage Direct On Line or Starting with INVERTER .		
C O N S T R U C T I O N	Dimensions		As Dr # 31057D98504, 31057D98505, 31057D985806, 31057D98541 & 31057D98542.		
	Frame		High-Grade Cast Iron, Two(2) Threaded Drain Holes with Drain Plug, A Tapped Hole on the Foot (at Terminal Box Side) for Grounding with Minimum Size of 1/4-20 UNC (Up to 50HP), 3/8-16 UNC (60HP to 200HP) and 1/2-13UNC (above 200HP).		
	End Bracket		High Grade Cast Iron .		
	Shaft		Carbon Steel . Cylindrical Single Extension with Keyseat and Key . Shaft Runout : 0.001" for Shaft Diameter 0.1875" to 1.625" inches, 0.0015" for Shaft Diameter Over 1.625" to 6.500" inches .		
	External Fan		Non-Sparking Plastic. Brozne for 2P (444TS ~ 449TS) .		
	Fan Cover		Cast Iron .		
APPD.	Jim.Chang	9-Dec-14	TECO Electric & Machinery Co., Ltd.		DWG . NO .
CHKD.	C.L.Huang	22-Jul-14			31057D98502
DWN.	Clive.Hung	21-Jul-14			1/2

ISSUED		SPECIFICATION TABLE		MODEL	
2-Jun-03				AEHH8B	
REVISED		3-PHASE INDUCTION MOTORS LOW VOLTAGE SQUIRREL CAGE		PAGE	
11-Dec-14				2 of 18	
ITEM		STANDARD SPECIFICATION			
Bearing		Bracket Mounting, Vacuum De-Gassed High Quality Rolling Bearings with Regrease Provisions (Labyrinth Construction for 404T ~ 449TS Frame) ; All with C3 Clearance Bearings; Inner Bearing Cap on Single End ; Regreasable Outlet Plugs Extended Beyond the Fan Cover .			
Lubricant		ESSO POLYREX EM Grease.			
Shaft Seal		Inpro/Seals™ on Drive End and Non-Drive End .			
Terminal BOX		Cast Iron, For Frame up to 445T, Fabricate Steel Plate For Frame 447T~449T. Fully Gasketed with N.P.T. Threaded Cable Entrance Hole, 90 Degree Rotatable . Internal Volume Meet IEEE841 Std, With a Minimum of 24 in ³ .			
Lead Terminal		3 Leads with Solderless Lug Terminals .			
Iron Core		High Grade, Insulated, Cold-Rolled Electro-Magnetic Steel Plate .			
Stator Winding		Pre-formed Random Wound. Made of High Pulse Endurance Index, Heavy Heat-Resist Enameled Copper Wire suitable for VFD and NEMA MG-1-2009 Part 31.4.4.2 .			
Stator Insulation		Class F Insulation System .			
Varnish Treatment		Phenolic Alkyd Resin Varnish, And Red Varnish Spray of Both Coil Ends .			
Rotor Winding		Squirrel Cage, Aluminum Conductor with End-Ring and Waffer Blades Integrally Cast, Surface Coated with Red Varnish . Precision Dynamic Balance to a Peak Vibration Velocity Not Exceed : 0.08 in/sec , For 2, 4 and 6 P ; 0.06 in/sec For 8P.			
Painting		One Pack Zinc Chromate Epoxy Primer, Phenolic Rust Proof Base Finished in Purple-Blue Color (Munsell 5PB 3/8) .			
Nameplate		Stainless Steel .			
Hardware		Stainless Steel ISO Metric System .			
Grounding Terminal		Ground Lug Located Inside Primary Terminal Box .			
P E R F O R M A N C E	Test Procedure		IEEE-841 .		
	Typical Performance		As Dr # 31057D98503 .		
	Temperature Rise		For Winding : Not to Exceed 90°C Rise by Resistance Method at S.F. 1.15 , 80°C Rise at S.F. 1.0; For Bearing : 50°C for 2-Pole, 45°C for 4P-Pole and Above .		
	Noise		Sound Pressure Not Exceed 85dB (A) /1m.		
	Over Speed		125% Syn. R.P.M. for Two Minutes. (2, 4 Poles), 150% Syn. R.P.M. for Two Minutes. (6, 8 Pole) .		
	Over Torque		160% Rated Torque for 15 Sec .		
APPD.	Jim.Chang	9-Dec-14	TECO Electric & Machinery Co., Ltd.		DWG. NO.
CHKD.	C.L.Huang	22-Jul-14			31057D98502
DWN.	Clive.Hung	21-Jul-14			2/2

ISSUED 2-Jun-03	PERFORMANCE DATA 3-PHASE SQUIRREL CAGE HIGH EFFICIENCY INDUCTION MOTORS	MODEL AEHH8B
REVISED 3-Aug-13		PAGE 3 of 18



ee C C 0 0 2 A

TEFC, NEMA T-FRAME, DESIGN - B,
CLASS F, 40°C AMBIENT, CONTINUOUS DUTY,
S.F. 1.15 460V 60Hz

TYPICAL PERFORMANCE

(460 V)

HP	FULL LOAD RPM	FRAME SIZE	EFFICIENCY(%)				POWER FACTOR(%)			CURRENT			TORQUE				ROTOR WK ² lb-ft ²	NEMA CODE LETTER	APPROX WEIGHT LBS
			FULL LOAD		3/4 LOAD	1/2 LOAD	FULL LOAD	3/4 LOAD	1/2 LOAD	FULL LOAD (A)	208V USABLE ON-A	LOCKED ROTOR (A)	FULL LOAD lb-ft	LOCKED ROTOR %FLT	PULL UP %FLT	BREAK DOWN %FLT			
			NOM.	MIN.	NOM.	NOM.	NOM.	NOM.	NOM.	NOM.	NOM.	NOM.	NOM.	NOM.	NOM.	NOM.			
1	3465	143T	82.5	80.0	81.5	78.5	85.0	79.5	68.5	1.34	2.95	15	1.515	350	365	400	0.046	N	48
	1745	143T	85.5	82.5	84.0	81.5	73.0	64.5	51.5	1.50	3.32	15	3.009	310	280	410	0.086	N	53
	1150	145T	82.5	80.0	82.5	80.0	65.5	57.0	44.5	1.73	3.83	15	4.566	250	220	300	0.122	N	59
	860	182T	77.0	74.0	75.5	70.0	58.5	49.5	38.0	2.08	4.60	15	6.105	200	150	270	0.239	N	95
1.5	3465	143T	84.0	81.5	84.0	81.5	83.5	77.0	65.0	2.00	4.43	20	2.273	340	280	350	0.052	M	50
	1730	145T	86.5	84.0	86.5	85.5	78.0	70.0	57.0	2.08	4.60	20	4.552	300	260	360	0.093	M	63
	1170	182T	87.5	85.5	85.5	82.5	63.5	55.0	42.5	2.53	5.59	20	6.731	210	190	350	0.313	M	88
	860	184T	78.5	75.5	76.0	71.0	60.5	51.5	39.5	2.96	6.54	15	9.158	200	150	270	0.275	M	99
2	3465	145T	86.5	84.0	86.5	85.5	86.0	80.5	70.0	2.52	5.57	25	3.031	350	315	390	0.064	L	59
	1740	145T	86.5	84.0	86.5	84.0	78.0	70.0	57.0	2.78	6.14	25	6.035	270	220	330	0.108	L	61
	1170	184T	88.5	86.5	88.5	86.5	70.5	63.0	50.5	3.00	6.64	25	8.975	180	150	270	0.423	L	99
	865	213T	85.5	82.5	84.0	81.0	68.0	58.0	45.0	3.22	7.12	25	12.14	200	190	290	0.586	L	147
3	3490	182T	88.5	86.5	90.2	89.5	90.0	87.0	79.5	3.53	7.80	32	4.513	280	250	380	0.190	K	95
	1755	182T	89.5	87.5	89.5	87.5	81.5	77.0	66.5	3.85	8.52	32	8.975	225	175	300	0.367	K	99
	1175	213T	89.5	87.5	89.5	87.5	78.0	70.5	58.5	4.02	8.90	32	13.41	210	180	340	0.918	K	147
	865	215T	85.5	82.5	85.5	83.0	66.0	56.0	45.0	4.98	11.0	32	18.21	240	210	300	0.821	K	198
5	3480	184T	88.5	86.5	89.5	89.5	92.5	91.0	85.5	5.72	12.6	46	7.544	290	230	320	0.272	J	105
	1745	184T	89.5	87.5	88.5	88.5	85.5	81.5	71.5	6.12	13.5	46	15.04	185	140	285	0.422	J	115
	1170	215T	91.0	89.5	91.0	89.5	82.5	77.0	65.5	6.24	13.8	46	22.44	190	160	300	1.224	J	198
	870	254T	87.5	85.5	87.5	86.5	72.0	64.0	51.0	7.43	16.4	46	30.18	190	180	250	1.660	J	266
7.5	3510	213T	91.0	89.5	91.0	90.2	89.0	87.0	80.0	8.67	19.2	64	11.22	200	175	275	0.448	H	167
	1755	213T	91.7	90.2	91.0	89.5	86.5	82.0	72.0	8.85	19.6	64	22.44	250	155	270	0.848	H	172
	1170	254T	91.0	89.5	91.0	89.5	80.5	75.0	64.0	9.59	21.2	64	33.66	240	215	270	2.158	H	266
	875	256T	87.5	85.5	87.5	85.5	74.0	66.0	53.0	10.8	24.0	64	45.00	220	190	280	2.872	H	301
10	3510	215T	91.0	89.5	91.7	91.0	89.5	88.5	82.5	11.5	25.4	81	14.96	220	180	260	0.573	H	196
	1755	215T	91.7	90.2	91.0	91.0	88.0	84.0	75.5	11.6	25.7	81	29.92	250	145	260	1.082	H	202
	1170	256T	91.0	89.5	91.7	90.2	80.5	75.0	64.0	12.8	28.3	81	44.88	225	185	250	2.872	H	301
	885	284T	90.2	88.5	90.2	89.5	73.5	66.0	53.5	14.1	31.2	81	59.33	235	210	280	5.421	H	407
15	3525	254T	92.4	91.0	92.4	91.7	91.5	90.5	86.0	16.6	36.7	116	22.34	210	180	270	1.088	G	266
	1765	254T	92.4	91.0	93.0	92.4	88.0	85.0	77.0	17.3	38.2	116	44.62	245	180	270	2.179	G	299
	1175	284T	92.4	91.0	93.0	93.0	83.5	79.5	70.5	18.2	40.3	116	67.03	215	180	230	6.823	G	407
	875	286T	90.2	88.5	90.2	90.2	78.0	73.0	62.0	20.0	44.1	116	90.01	200	170	230	7.961	G	464
20	3520	256T	92.4	91.0	93.0	93.6	92.5	91.5	88.0	21.9	48.5	145	29.83	210	180	260	1.407	G	328
	1760	256T	93.0	91.7	92.4	92.4	87.5	84.5	78.5	23.0	50.9	145	59.66	200	145	240	2.871	G	356
	1170	286T	91.7	90.2	92.4	92.4	84.0	81.0	73.0	24.3	53.8	145	89.75	210	160	225	8.340	G	464
	875	324T	91.0	89.5	91.7	91.7	81.0	77.0	68.0	25.4	56.2	145	120.0	200	150	210	10.39	G	627
25	3545	284TS	92.4	91.0	93.0	92.4	91.0	90.5	86.5	27.8	61.6	183	37.03	175	135	250	2.507	G	433
	1765	284T	93.6	92.4	93.6	93.6	86.0	83.0	77.0	29.1	64.3	183	74.37	205	165	240	4.586	G	469
	1170	324T	93.0	91.7	93.6	93.6	83.0	80.0	71.5	30.3	67.1	183	112.2	200	155	205	11.88	G	627
	875	326T	91.0	89.5	91.7	91.7	80.0	76.0	66.0	32.2	71.1	183	150.0	200	170	220	12.37	G	695
30	3545	286TS	93.0	91.7	93.6	93.0	91.0	90.5	87.5	33.2	73.4	218	44.43	175	140	240	2.831	G	444
	1770	286T	93.6	92.4	93.6	93.6	87.5	85.5	79.5	34.3	75.8	218	88.99	200	160	235	5.274	G	510
	1175	326T	93.0	91.7	93.6	93.6	80.5	78.5	71.0	37.5	83.0	218	134.1	210	180	230	12.37	G	695
	885	364T	93.0	91.7	93.0	92.4	78.0	73.0	61.0	38.7	85.6	218	178.0	210	170	240	17.94	G	871
40	3550	324TS	94.1	93.0	94.5	94.1	90.0	89.0	84.5	44.2	97.8	290	59.16	150	130	240	3.590	G	616
	1770	324T	94.1	93.0	94.5	94.5	86.0	84.5	78.5	46.3	102	290	118.7	205	170	220	8.624	G	638
	1180	364T	94.1	93.0	94.5	94.1	86.5	84.5	78.0	46.0	102	290	178.0	200	150	220	17.94	G	871
	885	365T	93.0	91.7	93.0	92.4	78.0	73.0	62.0	51.6	114	290	237.3	210	160	230	19.32	G	895
50	3550	326TS	94.1	93.0	94.5	94.5	91.0	90.0	86.5	54.7	121	363	73.95	150	130	240	4.488	G	713
	1770	326T	94.5	93.6	95.0	95.0	87.0	86.0	80.5	56.9	126	363	148.3	210	170	220	10.12	G	737
	1180	365T	94.1	93.0	94.5	93.6	86.0	83.0	75.5	57.8	128	363	222.5	225	170	240	21.39	G	895
	885	404T	93.0	91.7	93.6	93.6	81.0	77.0	68.0	62.1	137	363	296.6	210	175	230	31.47	G	1256

APPD.	Tsunghao	21-Jan-14	TECO Electric & Machinery Co., Ltd.	DWG. NO.	31057D98503
CHKD.	C.L.Huang	3-Aug-13			
DWN.	Longlin	3-Aug-13			

ISSUED 2-Jun-03	PERFORMANCE DATA 3-PHASE SQUIRREL CAGE HIGH EFFICIENCY INDUCTION MOTORS	MODEL AEHH8B
REVISED 3-Aug-13		PAGE 4 of 18



TEFC, NEMA T-FRAME, DESIGN - B,
CLASS F, 40°C AMBIENT, CONTINUOUS DUTY,
S.F. 1.15 460V 60Hz

TYPICAL PERFORMANCE

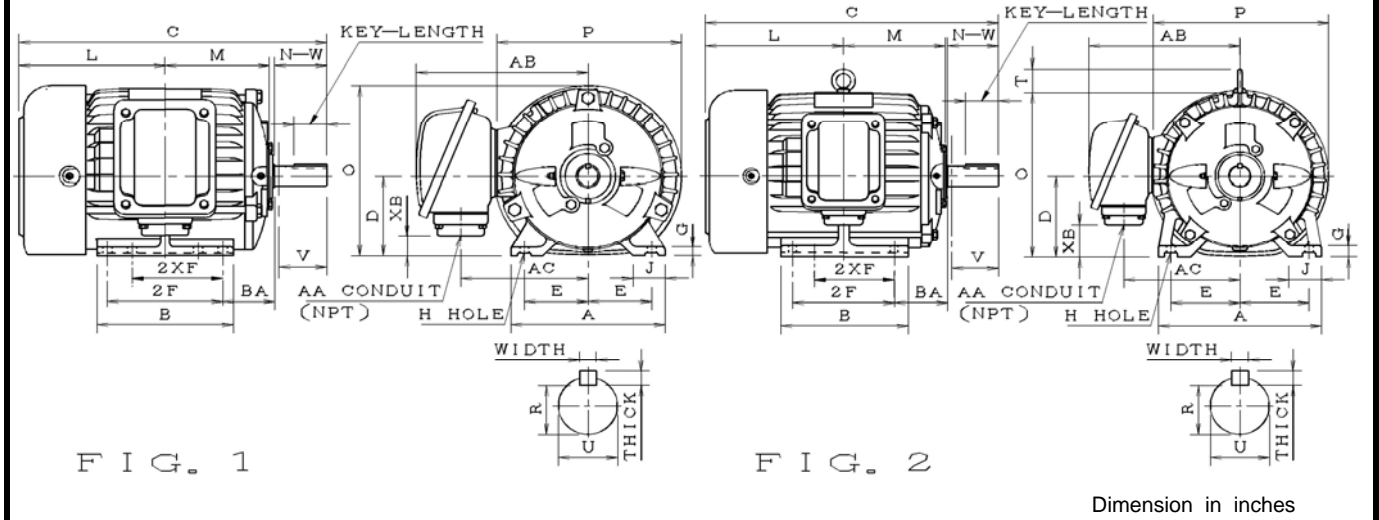
(460 V)

HP	FULL LOAD RPM	FRAME SIZE	EFFICIENCY(%)				POWER FACTOR(%)			CURRENT			TORQUE				ROTOR WK ² lb-ft ²	NEMA CODE LETTER	APPROX. WEIGHT LBS
			FULL LOAD		3/4 LOAD	1/2 LOAD	FULL LOAD	3/4 LOAD	1/2 LOAD	FULL LOAD (A)	208V USABLE ON-A	LOCKED ROTOR (A)	FULL LOAD lb-ft	LOCKED ROTOR %FLT	PULL UP %FLT	BREAK DOWN %FLT			
			NOM.	MIN.	NOM.	NOM.	NOM.	NOM.	NOM.	NOM.	NOM.	NOM.	NOM.	NOM.	NOM.	NOM.			
60	3550	364TS	94.1	93.0	94.5	94.1	93.0	92.0	88.5	64.2	142	435	88.74	145	130	240	7.379	G	759
	1775	364T	95.0	94.1	95.0	94.5	86.5	83.0	75.5	68.4	151	435	177.5	200	155	240	12.23	G	777
	1180	404T	94.5	93.6	94.5	94.1	87.0	86.5	80.5	68.3	151	435	267.0	200	185	245	33.54	G	1256
	885	405T	93.0	91.7	93.6	93.6	81.0	78.0	68.0	74.6	165	435	356.0	200	180	230	32.55	G	1351
	3555	365TS	94.5	93.6	95.0	95.0	93.0	92.5	89.0	79.9	177	543	110.8	145	130	250	9.056	G	818
75	1775	365T	95.4	94.5	95.4	95.0	86.5	83.5	75.5	85.1	188	543	221.9	200	165	250	14.67	G	913
	1180	405T	94.5	93.6	94.5	94.5	86.5	84.5	79.0	85.9	190	543	333.7	200	175	225	37.86	G	1351
	885	444T	93.6	92.4	93.0	91.7	79.0	76.0	67.0	95.0	210	548	445.0	130	110	210	55.10	G	1575
	3560	405TS	95.4	94.5	95.8	95.4	92.0	91.5	88.5	107	236	725	147.5	140	125	270	10.77	G	1228
	1775	405T	95.4	94.5	95.4	95.0	87.5	85.5	80.0	112	248	725	295.8	215	140	215	26.64	G	1296
100	1181	444T	95.0	94.1	94.5	93.6	82.5	80.0	73.0	119	264	725	444.6	140	110	230	56.00	G	1683
	885	445T	93.6	92.4	93.0	91.7	79.0	76.5	68.0	127	280	725	593.3	130	110	210	72.80	G	1826
	3563	444TS	95.0	94.1	94.5	93.6	86.0	83.5	80.0	143	317	910	184.2	110	88	220	16.60	G	1606
	1780	444T	95.4	94.5	95.4	94.1	85.0	83.0	77.0	144	319	910	368.7	130	100	220	44.30	G	1727
	1182	445T	95.0	94.1	94.5	93.6	83.0	80.5	74.0	148	328	910	555.3	140	110	230	68.00	G	1903
125	888	447T	94.1	93.0	93.6	92.1	80.0	77.0	69.0	155	344	910	739.1	120	100	200	141.0	G	2134
	3566	445TS	95.0	94.1	94.5	93.6	87.0	84.5	81.0	170	---	1085	220.9	110	88	220	20.00	G	1696
	1783	445T	95.8	95.0	95.4	94.5	85.0	83.0	78.0	172	---	1085	441.7	130	100	220	52.00	G	1811
	1185	447T	95.8	95.0	95.4	94.5	83.5	81.0	74.0	176	---	1085	664.6	135	105	220	103.0	G	2167
	888	449T	94.1	93.0	93.6	92.1	80.0	77.0	69.0	187	---	1085	886.9	120	100	200	166.0	G	2389
150	3572	447TS	95.4	94.5	95.0	94.1	89.0	85.0	81.0	221	---	1450	294.0	104	83	210	32.00	G	2024
	1785	447T	96.2	95.4	95.8	95.0	87.0	83.5	78.5	224	---	1450	588.3	120	95	210	73.50	G	2112
	1186	449T	95.8	95.0	95.4	94.5	84.0	81.0	74.0	233	---	1450	885.4	135	105	210	125.0	G	2380
	888	449T	94.5	93.5	94.1	93.0	80.0	77.0	69.0	248	---	1450	1183	120	100	200	221.0	G	2706
	3575	449TS	95.8	95.0	95.4	94.5	89.8	86.0	82.0	272	---	1825	367.2	103	83	210	44.00	G	2244
200	1787	449T	96.2	95.4	95.8	95.0	88.0	84.5	80.0	277	---	1825	734.5	110	90	210	83.00	G	2420
	1188	449T	95.8	95.0	95.4	94.5	84.5	82.0	74.5	289	---	1825	1105	110	90	210	140.0	G	2574
	3580	449TS	95.8	95.0	95.4	94.5	90.2	86.5	82.5	325	---	2200	440.0	102	81	210	52.50	G	2420
	1788	449T	96.2	95.4	95.8	95.0	88.0	84.5	80.0	332	---	2200	881.0	100	85	210	107.0	G	2640
	1188	449T	95.8	95.0	95.4	94.5	84.5	82.0	74.5	347	---	2200	1326	100	85	210	199.0	G	2816
350	3583	449TS	95.8	95.0	95.4	94.5	90.2	86.5	82.5	379	---	2567	512.9	102	81	210	62.00	G	2826
	1788	449T	96.2	95.4	95.8	95.0	88.0	84.5	80.0	387	---	2567	1028	100	85	210	124.0	G	2937

- NOTE :
- The above are typical values based on test according to ANSI/IEEE standard 112 method B.
 - Breakdown & locked rotor torques are shown as average expected values.
 - Efficiency, power factor, speed and torque are the same for other voltages.
Current values vary inversely with voltage.
 - Tolerance according to NEMA MG1-12 & IEC 60034-1.
 - Data subject to change without notice.

APPD.	Tsunghao	21-Jan-14	TECO Electric & Machinery Co., Ltd.	DWG. NO.	31057D98503
CHKD.	C.L.Huang	3-Aug-13			
DWN.	Longlin	3-Aug-13			

Totally Enclosed Fan Cooled Type, Squirrel Cage Rotor



Output (HP)				Frame Size	Fig No.	Mounting					A	B	C	D	G	J	L	M
2P	4P	6P	8P			E	2F	2XF	H	BA								
1	1	—	—	143T	1	2.75	4.00	—	0.34	2.25	6.70	5.10	12.56	3.50	0.35	1.40	6.06	4.03
1.5	—	—	—	145T		2.75	5.00	4.00	0.34	2.25	6.70	5.90	13.54	3.50	0.35	1.40	6.54	4.53
3	3	1.5	1	182T	2	3.75	4.50	—	0.43	2.75	8.82	5.88	14.89	4.50	0.65	1.75	7.14	4.87
5	5	2	1.5	184T		3.75	5.50	4.50	0.43	2.75	8.82	6.89	15.91	4.50	0.65	1.75	7.66	5.37
7.5	7.5	3	2	213T		4.25	5.50	—	0.43	3.50	9.85	6.89	18.26	5.25	0.70	1.75	8.63	6.10
10	10	5	3	215T		4.25	7.00	5.50	0.43	3.50	9.85	8.35	19.76	5.25	0.70	1.75	9.38	6.85

Frame Size	O	P	T	Key			Keyseat	Shaft Extension			Terminal Housing				Bearings	
				Width	Thick	Length	R	N-W	U	V	AA	AB	AC	XB	Drive End	Non-Drive End
143T	7.48	7.95	—	0.188	0.188	1.410	0.771	2.250	0.875	2.200	3/4	7.56	5.63	0.86	6205ZC3	6205ZC3
145T	7.48	7.95	—	0.188	0.188	1.410	0.771	2.250	0.875	2.200	3/4	7.56	5.63	0.86	6205ZC3	6205ZC3
182T	9.17	9.61	1.30	0.250	0.250	1.780	0.986	2.750	1.125	2.700	3/4	8.31	6.38	1.86	6306ZC3	6306ZC3
184T	9.17	9.61	1.30	0.250	0.250	1.780	0.986	2.750	1.125	2.700	3/4	8.31	6.38	1.86	6306ZC3	6306ZC3
213T	10.62	11.10	1.65	0.312	0.312	2.410	1.201	3.380	1.375	3.300	1	9.78	7.34	2.34	6308ZC3	6306ZC3
215T	10.62	11.10	1.65	0.312	0.312	2.410	1.201	3.380	1.375	3.300	1	9.78	7.34	2.34	6308ZC3	6306ZC3

- Note :**
1. Dimension D tolerance : +0.00 inch, -0.03 inch.
 2. Dimension U tolerance : +0.000 inch, -0.0005 inch.
 3. Dimension R tolerance : +0.000 inch, -0.015 inch.
 4. Dimension V is length of straight part of shaft.

APPD.	Tsunghao	4-Dec-14	TECO Electric & Machinery Co., Ltd.	DWG. NO.	31057D98504
CHKD.	Jeffliang	29-Jul-14			
DWN.	Clive.Hung	21-Jul-14			

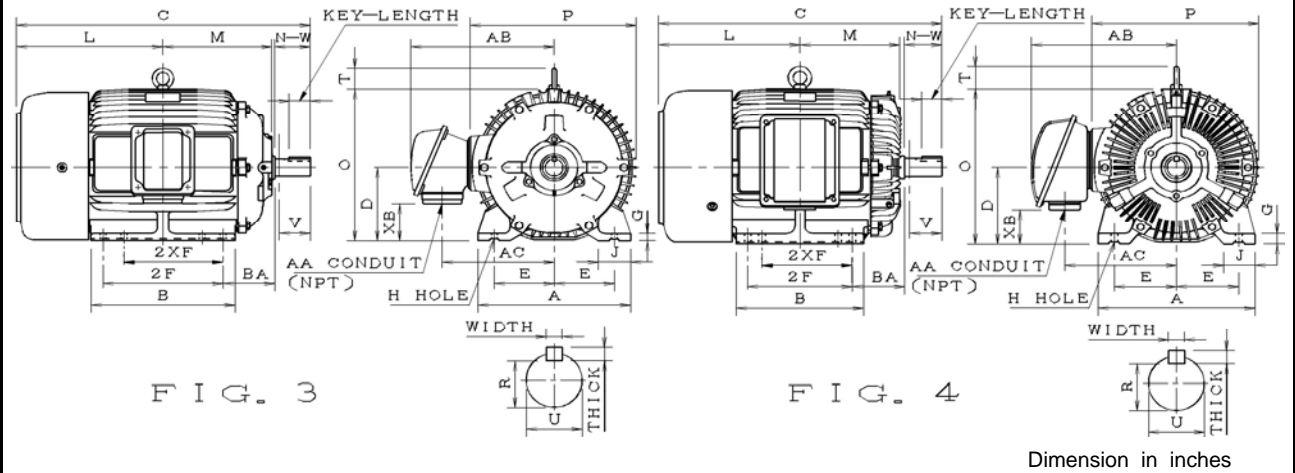
ISSUED
2-Jun-03
REVISED
11-Dec-14

OUTLINE DIMENSIONS SHEET

MODEL
AEHH8B
PAGE
6 of 18

3-PHASE INDUCTION MOTORS FRAME SIZE 254T ~ 365TS

Totally Enclosed Fan Cooled Type, Squirrel Cage Rotor



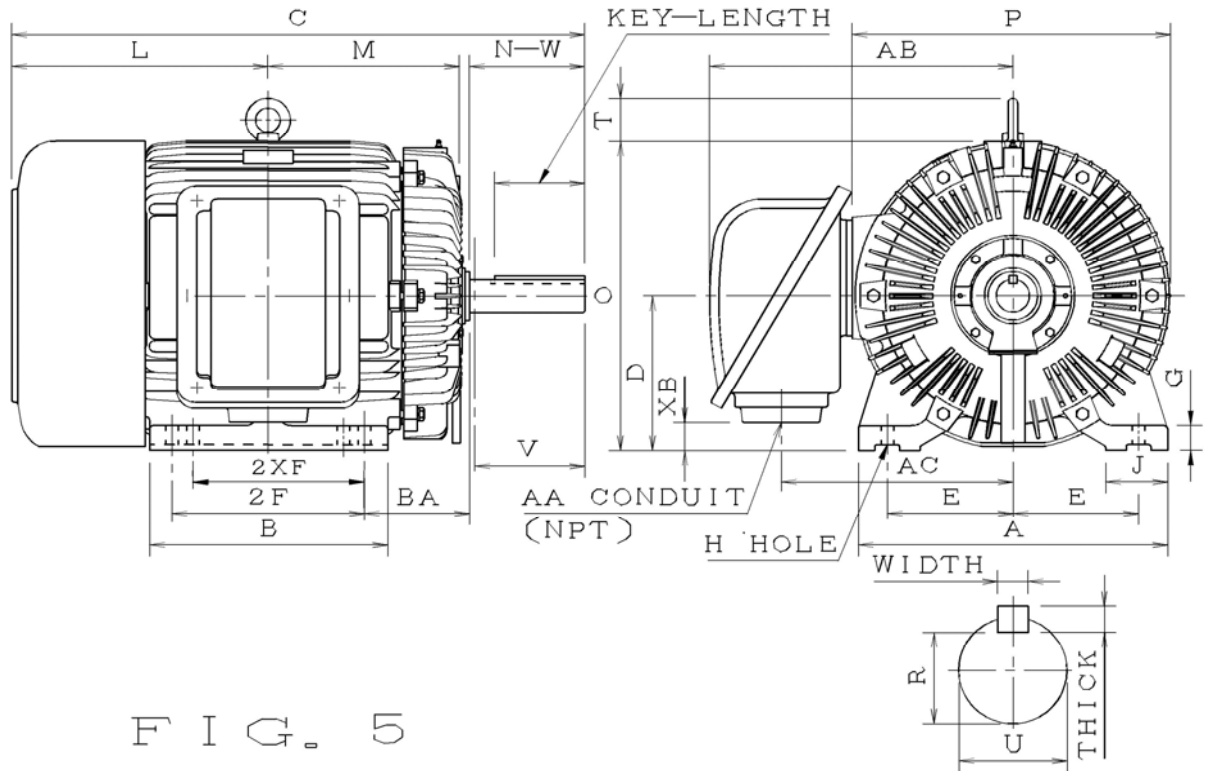
Output (HP)				Frame Size	Fig No.	Mounting					A	B	C	D	G	J	L	M
2P	4P	6P	8P			E	2F	2XF	H	BA								
15	15	7.5	5	254T	3	5.00	8.25	—	0.53	4.25	11.81	9.85	23.78	6.25	0.66	1.95	11.41	8.06
20	20	10	7.5	256T		5.00	10.00	8.25	0.53	4.25	11.81	11.81	25.52	6.25	0.66	1.95	12.27	8.93
—	25	15	10	284T		5.50	9.50	—	0.53	4.75	13.98	11.69	26.80	7.00	0.78	2.95	12.68	9.23
25	—	—	—	284TS		5.50	9.50	9.50	0.53	4.75	13.98	11.69	25.43	7.00	0.78	2.95	12.68	9.23
—	30	20	15	286T		5.50	11.00	—	0.53	4.75	13.98	13.19	28.30	7.00	0.78	2.95	13.43	9.98
30	—	—	—	286TS		5.50	11.00	9.50	0.53	4.75	13.98	13.19	26.93	7.00	0.78	2.95	13.43	9.98
—	40	25	20	324T	4	6.25	10.50	—	0.67	5.25	15.75	12.80	29.93	8.00	1.10	3.15	14.18	10.10
40	—	—	—	324TS		6.25	10.50	10.50	0.67	5.25	15.75	12.80	28.43	8.00	1.10	3.15	14.18	10.10
—	50	30	25	326T		6.25	12.00	—	0.67	5.25	15.75	14.37	31.43	8.00	1.10	3.15	14.93	10.85
50	—	—	—	326TS		6.25	12.00	10.50	0.67	5.25	15.75	14.37	29.92	8.00	1.10	3.15	14.93	10.85
—	60	40	30	364T		7.00	11.25	—	0.67	5.88	17.70	13.78	32.57	9.00	1.32	3.54	15.17	11.09
60	—	—	—	364TS		7.00	11.25	11.25	0.67	5.88	17.70	13.78	30.44	9.00	1.32	3.54	15.17	11.09
—	75	50	40	365T		7.00	12.25	—	0.67	5.88	17.70	14.76	33.55	9.00	1.32	3.54	15.67	11.59
75	—	—	—	365TS		7.00	12.25	11.25	0.67	5.88	17.70	14.76	31.42	9.00	1.32	3.54	15.67	11.59

Frame Size	O	P	T	Key			R	Keyseat			Shaft Extension			Terminal Housing				Bearings	
				Width	Thick	Length		N-W	U	V	AA	AB	AC	XB	Drive End	Non-Drive End			
254T	12.80	13.15	2.01	0.375	0.375	2.910	1.416	4.000	1.625	3.900	1 1/4	11.30	8.86	3.22	6309ZC3	6307ZC3			
256T	12.80	13.15	2.01	0.375	0.375	2.910	1.416	4.000	1.625	3.900	1 1/4	11.30	8.86	3.22	6309ZC3	6307ZC3			
284T	14.50	15.05	2.36	0.500	0.500	3.280	1.591	4.620	1.875	4.500	1 1/2	13.27	10.35	3.54	6311ZC3	6310ZC3			
284TS	14.50	15.05	2.36	0.375	0.375	1.930	1.416	3.250	1.625	3.200	1 1/2	13.27	10.35	3.54	6311ZC3	6310ZC3			
286T	14.50	15.05	2.36	0.500	0.500	3.280	1.591	4.620	1.875	4.500	1 1/2	13.27	10.35	3.54	6311ZC3	6310ZC3			
286TS	14.50	15.05	2.36	0.375	0.375	1.930	1.416	3.250	1.625	3.200	1 1/2	13.27	10.35	3.54	6311ZC3	6310ZC3			
324T	16.22	16.55	2.36	0.50	0.50	3.910	1.845	5.250	2.125	5.150	2	14.72	11.30	3.59	6312ZC3	6212ZC3			
324TS	16.22	16.55	2.36	0.500	0.500	2.030	1.591	3.750	1.875	3.650	2	14.72	11.30	3.59	6312ZC3	6212ZC3			
326T	16.22	16.55	2.36	0.50	0.50	3.910	1.845	5.250	2.125	5.150	2	14.72	11.30	3.59	6312ZC3	6212ZC3			
326TS	16.22	16.55	2.36	0.500	0.500	2.030	1.591	3.750	1.875	3.650	2	14.72	11.30	3.59	6312ZC3	6212ZC3			
364T	17.99	18.03	2.76	0.625	0.625	4.280	2.021	5.880	2.375	5.750	3	16.81	12.99	2.39	6313ZC3	6213ZC3			
364TS	17.99	18.03	2.76	0.500	0.500	2.030	1.591	3.750	1.875	3.650	3	16.81	12.99	2.39	6312ZC3	6212ZC3			
365T	17.99	18.03	2.76	0.625	0.625	4.280	2.021	5.880	2.375	5.750	3	16.81	12.99	2.39	6313ZC3	6213ZC3			
365TS	17.99	18.03	2.76	0.500	0.500	2.030	1.591	3.750	1.875	3.650	3	16.81	12.99	2.39	6312ZC3	6212ZC3			

- Note :**
1. Dimension D tolerance : +0.00 inch, -0.03 inch.
 2. Dimension U tolerance : +0.000 inch, -0.001 inch.
 3. Dimension R tolerance : +0.000 inch, -0.015 inch.
 4. Dimension V is length of straight part of shaft.

APPD.	Tsunghao	4-Dec-14	TECO Electric & Machinery Co., Ltd.	DWG. NO.	31057D98505
CHKD.	Tennis.Shen	1-Dec-14			
DWN.	Clive.Hung	21-Jul-14			

Totally Enclosed Fan Cooled Type, Squirrel Cage Rotor



Dimension in inches

Output (HP)				Frame Size	Fig No.	Mounting					A	B	C	D	G	J	L	M
2P	4P	6P	8P			E	2F	2XF	H	BA								
—	—	60	50	404T	5	8.00	12.25	—	0.81	6.62	19.68	15.16	36.49	10.00	1.57	3.94	16.49	12.52
—	100	75	60	405T		8.00	13.75	12.25	0.81	6.62	19.68	16.73	37.99	10.00	1.57	3.94	17.24	13.27
100	—	—	—	405TS		8.00	13.75	12.25	0.81	6.62	19.68	16.73	34.99	10.00	1.57	3.94	17.24	13.27

Frame Size	O	P	T	Key			Keyseat	Shaft Extension			Terminal Housing				Bearings	
				Width	Thick	Length	R	N-W	U	V	AA	AB	AC	XB	Drive End	Non-Drive End
404T	20.00	20.08	3.54	0.750	0.750	5.650	2.450	7.250	2.875	7.160	3	19.41	14.76	1.81	6317C3	6313ZC3
405T	20.00	20.08	3.54	0.750	0.750	5.650	2.450	7.250	2.875	7.160	3	19.41	14.76	1.81	6317C3	6313ZC3
405TS	20.00	20.08	3.54	0.500	0.500	2.780	1.845	4.250	2.125	4.130	3	19.41	14.76	1.81	6313C3	6313ZC3

- Note :**
1. Dimension D tolerance : +0.00 inch, -0.03 inch.
 2. Dimension U tolerance : +0.000 inch, -0.001 inch.
 3. Dimension R tolerance : +0.000 inch, -0.015 inch.
 4. Dimension V is length of straight part of shaft.

APPD.	Tsunghao	4-Dec-14	TECO Electric & Machinery Co., Ltd.	DWG. NO.	31057D98506
CHKD.	Tennis.Shen	1-Dec-14			
DWN.	Clive.Hung	21-Jul-14			

ISSUED
2-Jun-03

REVISED
21-Jan-14

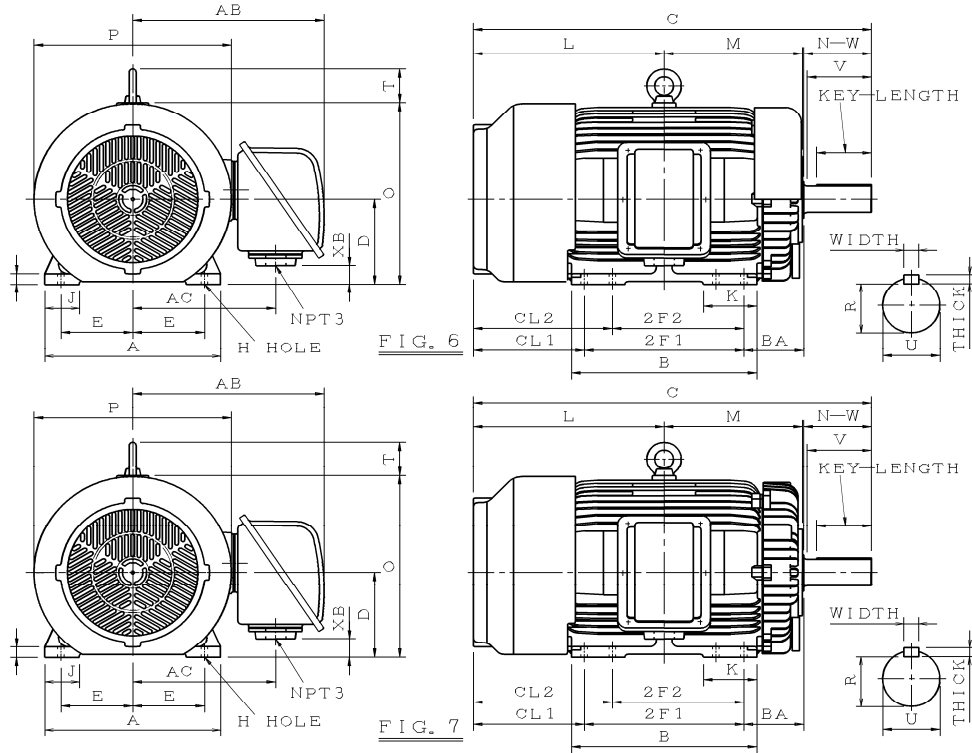
OUTLINE DIMENSIONS SHEET

3-PHASE INDUCTION MOTORS
FRAME SIZE 444T ~ 445 T&TS

MODEL
AEHH8B

PAGE
8 of 18

Totally Enclosed Fan Cooled Type, Squirrel Cage Rotor



Dimension in inches

Output (HP)				Frame Size	Fig No.	Mounting					A	B	C	CL1	CL2	D	G	J	K
2P	4P	6P	8P			E	2F1	2F2	H	BA									
—	125	100	75	444T	7	9.00	14.50	—	13/16	7.50	22.05	17.50	44.40	13.90	—	11.00	1.40	4.35	4.35
125	—	—	—	444TS	6	9.00	14.50	—	13/16	7.50	22.05	17.50	40.65	13.90	—	11.00	1.40	4.35	4.35
—	150	125	75	445T	7	9.00	16.50	14.50	13/16	7.50	22.05	19.50	46.40	13.90	15.90	11.00	1.40	4.35	5.10
150	—	—	—	445TS	6	9.00	16.50	14.50	13/16	7.50	22.05	19.50	42.65	13.90	15.90	11.00	1.40	4.35	5.10

Frame Size	L	M	O	P	T	Key			Keyseat	Shaft Extension			Terminal Housing			Bearings	
						Width	Thick	Length	R	N-W	U	V	AB	AC	XB	Drive End	Non-Drive End
444T	21.15	14.40	23.55	24.75	4.35	0.875	0.875	6.910	2.880	8.500	3.375	8.000	24.00	17.90	2.40	6318C3	6316C3
444TS	21.15	14.40	23.55	24.75	4.35	0.625	0.625	3.030	2.021	4.750	2.375	4.500	24.00	17.90	2.40	6314C3	6314C3
445T	22.15	15.40	23.55	24.75	4.35	0.875	0.875	6.910	2.880	8.500	3.375	8.000	24.00	17.90	2.40	6318C3	6316C3
445TS	22.15	15.40	23.55	24.75	4.35	0.625	0.625	3.030	2.021	4.750	2.375	4.500	24.00	17.90	2.40	6314C3	6314C3

- Note :**
1. Dimension D tolerance : +0.001 inch, -0.06 inch.
 2. Dimension U tolerance : +0.000 inch, -0.001 inch.
 3. Dimension R tolerance : +0.000 inch, -0.015 inch.
 4. Dimension V is length of straight part of shaft.
 5. For Direct Flexible Coupling.

APPD.	Tsunghao	21-Jan-14
CHKD.	Tennis	10-Jan-14
DWN.	AMO	10-Jan-14

TECO Electric & Machinery Co., Ltd.

DWG. NO.

31057D98541

ISSUED
2-Jun-03

REVISED
6-Feb-14

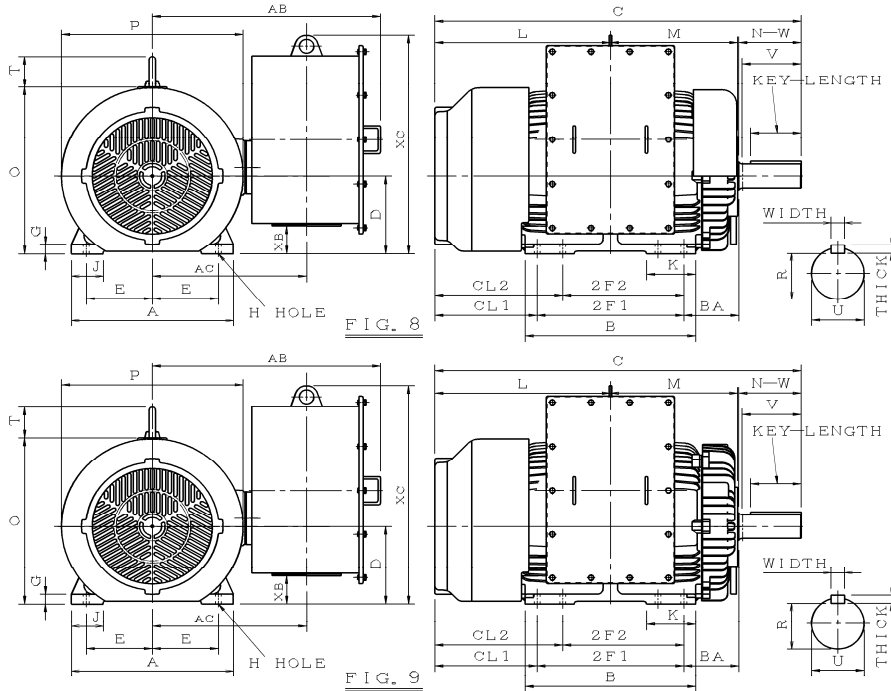
OUTLINE DIMENSIONS SHEET

3-PHASE INDUCTION MOTORS
FRAME SIZE 447T ~ 449 T&TS

MODEL
AEHH8B

PAGE
9 of 18

Totally Enclosed Fan Cooled Type, Squirrel Cage Rotor



Dimension in inches

Output (HP)				Frame Size	Fig No.	Mounting					A	B	C	CL1	CL2	D	G	J	K
2P	4P	6P	8P			E	2F1	2F2	H	BA									
—	200	150	125	447T	9	9.00	20.00	16.50	13/16	7.50	22.05	23.25	49.90	13.90	17.4	11.00	1.40	4.35	6.70
200	—	—	—	447TS	8	9.00	20.00	16.50	13/16	7.50	22.05	23.25	46.15	13.90	17.4	11.00	1.40	4.35	6.70
—	250	200	150	449T	9	9.00	25.00	20.00	13/16	7.50	22.05	27.95	54.90	13.90	18.90	11.00	1.40	4.35	8.25
250	300	—	—	449TS	8	9.00	25.00	20.00	13/16	7.50	22.05	27.95	51.15	13.90	18.90	11.00	1.40	4.35	8.25

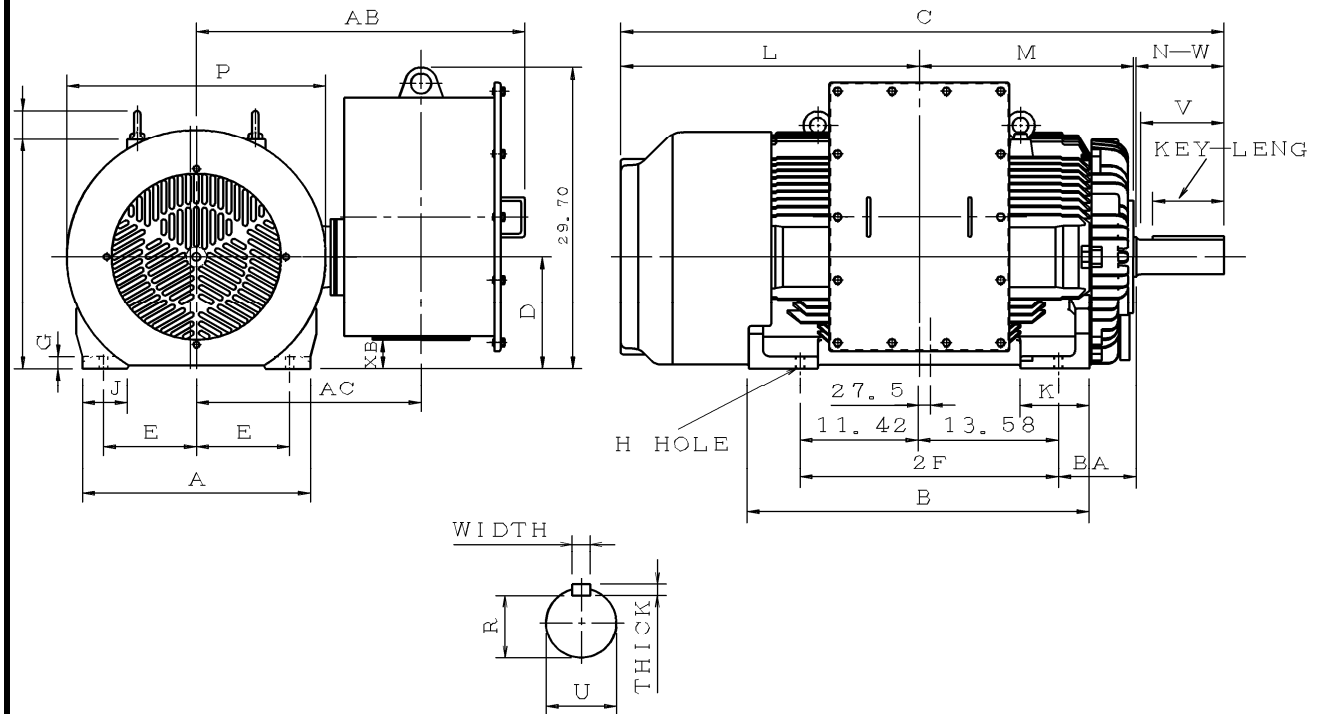
Frame Size	L	M	O	P	T	Key			Keyseat	Shaft Extension			Terminal Housing				Bearings	
						Width	Thick	Length	R	N-W	U	V	AB	AC	XB	XC	Drive End	Non-Drive End
447T	23.90	17.15	23.55	24.75	4.35	0.875	0.875	6.910	2.880	8.500	3.375	8.000	31.11	21.02	3.95	30.88	6320C3	6316C3
449TS	23.90	17.15	23.55	24.75	4.35	0.625	0.625	3.030	2.021	4.750	2.375	4.500	31.11	21.02	3.95	30.88	6314C3	6314C3
447T	26.40	19.65	23.55	24.75	4.35	0.875	0.875	6.910	2.880	8.500	3.375	8.000	31.11	21.02	3.95	30.88	6320C3	6316C3
449TS	26.40	19.65	23.55	24.75	4.35	0.625	0.625	3.030	2.021	4.750	2.375	4.500	31.11	21.02	3.95	30.88	6314C3	6314C3

- Note :**
1. Dimension D tolerance : +0.00 inch, -0.06 inch.
 2. Dimension U tolerance : +0.000 inch, -0.001 inch.
 3. Dimension R tolerance : +0.000 inch, -0.015 inch.
 4. Dimension V is length of straight part of shaft.
 5. For Direct Flexible Coupling.

APPD.	Tsunghao	6-Feb-14	TECO Electric & Machinery Co., Ltd.	DWG. NO.
CHKD.	Tennis	5-Feb-14		31057D98542
DWN.	AMO	10-Jan-14		

ISSUED 2-Jun-03	OUTLINE DIMENSIONS SHEET	MODEL AEHH8B
REVISED 6-Feb-14		3-PHASE INDUCTION MOTORS FRAME SIZE 449 T & TS

Totally Enclosed Fan Cooled Type, Squirrel Cage Rotor



Dimension in inches

Output (HP)		Frame Size	Fig No.	Mounting				A	B	C	D	G	J	K	L	M
2P	4P			E	2F	H	BA									
—	350	449T	10	9.00	25.00	0.81	7.50	22.05	33.05	58.63	11.00	1.20	4.35	6.70	29.05	20.67
350	—	449TS		9.00	25.00	0.81	7.50	22.05	33.05	54.88	11.00	1.20	4.35	6.70	29.05	20.47

Frame Size	O	P	T	Key			Keyseat	Shaft Extension			Terminal Housing			Bearings	
				Width	Thick	Length	R	N-W	U	V	AB	AC	XB	Drive End	Non-Drive End
447T	22.60	25.45	2.80	0.875	0.875	6.890	2.880	8.500	3.375	8.000	31.89	21.77	2.77	6320C3	6316C3
449TS	22.60	25.45	2.80	0.625	0.625	3.030	2.021	4.750	2.375	4.500	31.89	21.77	2.77	6314C3	6314C3

- Note :**
1. Dimension D tolerance : +0.00 inch, -0.06 inch.
 2. Dimension U tolerance : +0.000 inch, -0.001 inch.
 3. Dimension R tolerance : +0.000 inch, -0.015 inch.
 4. Dimension V is length of straight part of shaft.
 5. For Direct Flexible Coupling.

APPD.	Tsunghao	6-Feb-14	TECO Electric & Machinery Co., Ltd.	31057D98545
CHKD.	Tennis	5-Feb-14		
DWN.	AMO	10-Jan-14		

ISSUED
2-Jun-03

REVISED

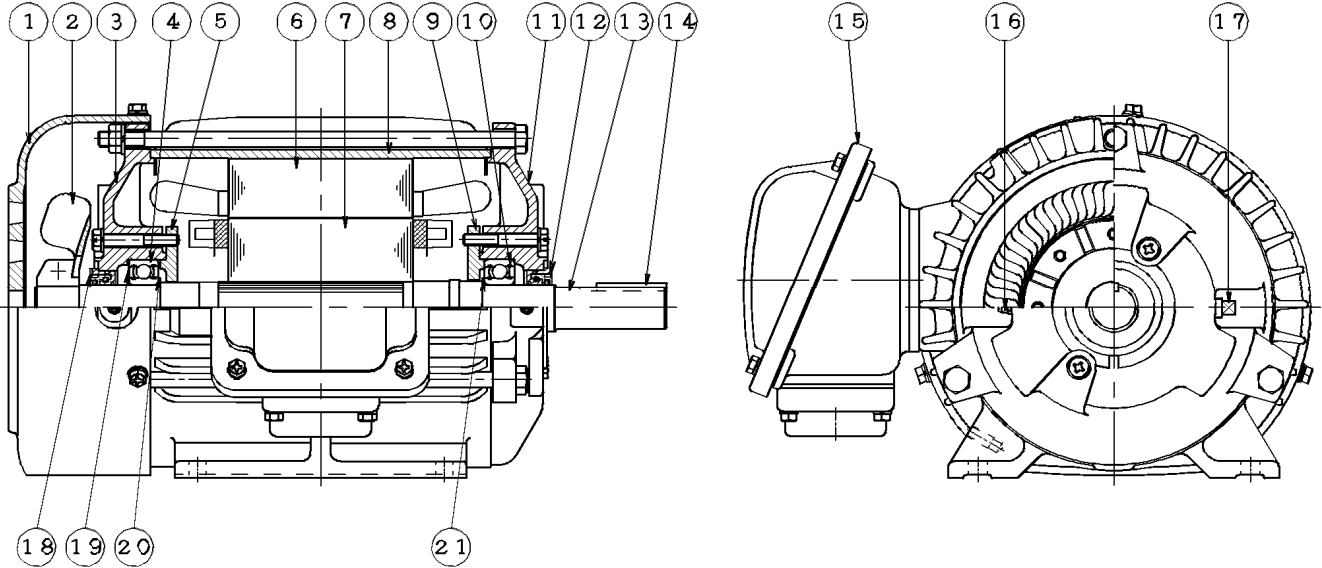
SCHEMATIC DRAWING

3-PHASE INDUCTION MOTORS
FRAME SIZE 143T ~ 145T

MODEL
AEHH8B

PAGE
11 of 18

Totally Enclosed Fan - Cooled Type, Squirrel - Cage Rotor.



ITEM	NAME	ITEM	NAME
1	FAN COVER	12	INPRO/SEALS™
2	EXTERNAL FAN	13	SHAFT
3	END BRACKET	14	KEY
4	BEARING	15	TERMINAL HOUSING
5	BEARING CAP (BEARING COVER-INNER)	16	GREASE NIPPLE
6	STATOR	17	GREASE DISCHARGE PLUG
7	ROTOR	18	INPRO/SEALS™
8	FRAME	19	PRE-LOAD SPRING
9	BEARING CAP (BEARING COVER-INNER)	20	COLLAR (STOP RING-BEARING)
10	BEARING	21	COLLAR (STOP RING-BEARING)
11	END BRACKET		

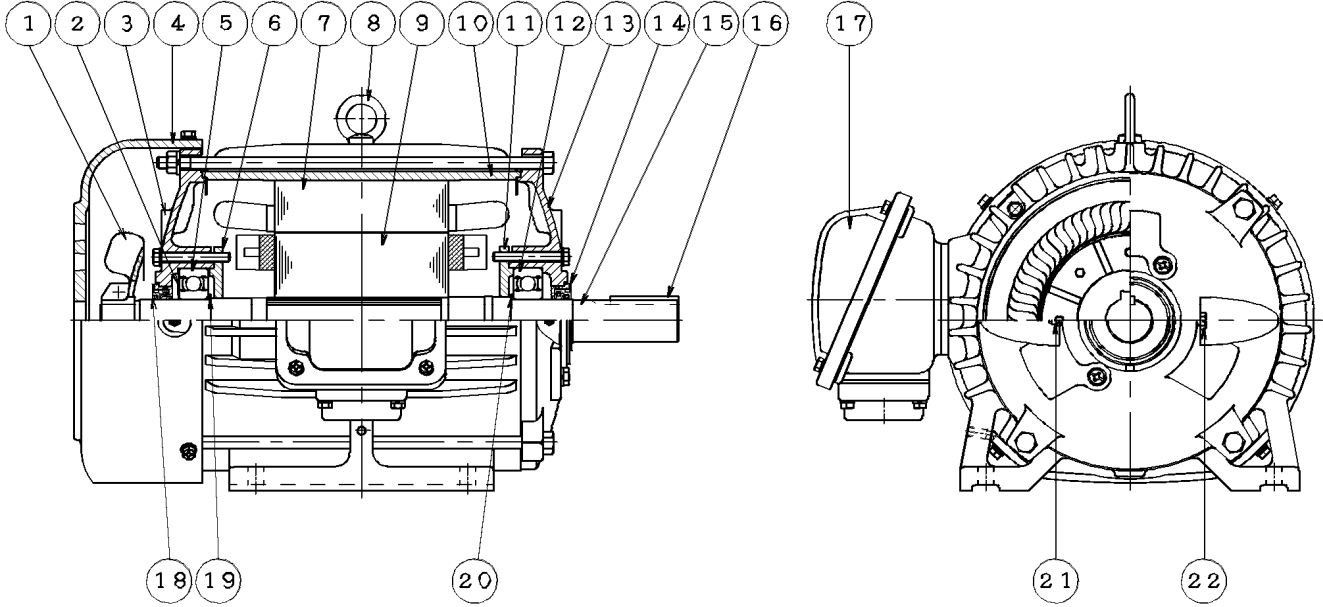
APPD.	Sam.Huang	1-Jun-03
CHKD.	Teng-Yun.Wu	12-May-03
DWN.	Clive.Huang	25-Mar-03

TECO Electric & Machinery Co., Ltd.

DWG. NO.
31057D98507

ISSUED 2-Jun-03	SCHEMATIC DRAWING	MODEL AEHH8B
REVISED		3-PHASE INDUCTION MOTORS FRAME SIZE 182T ~ 184T

Totally Enclosed Fan - Cooled Type, Squirrel - Cage Rotor.



ITEM	NAME	ITEM	NAME
1	EXTERNAL FAN	12	BEARING
2	PRE-LOAD SPRING	13	END BRACKET
3	END BRACKET	14	INPRO/SEALS™
4	FAN COVER	15	SHAFT
5	BEARING	16	KEY
6	BEARING CAP (BEARING COVER-INNER)	17	TERMINAL HOUSING
7	STATOR	18	INPRO/SEALS™
8	LIFTING EYE (EYE BOLT)	19	COLLAR (STOP RING-BEARING)
9	ROTOR	20	COLLAR (STOP RING-BEARING)
10	FRAME	21	GREASE NIPPLE
11	BEARING CAP (BEARING COVER-INNER)	22	GREASE DISCHARGE PLUG

APPD.	Sam.Huang	1-Jun-03	TECO Electric & Machinery Co., Ltd.	DWG. NO.	31057D98508
CHKD.	Teng-Yun.Wu	12-May-03			
DWN.	Clive.Huang	25-Mar-03			

ISSUED
2-Jun-03

REVISED

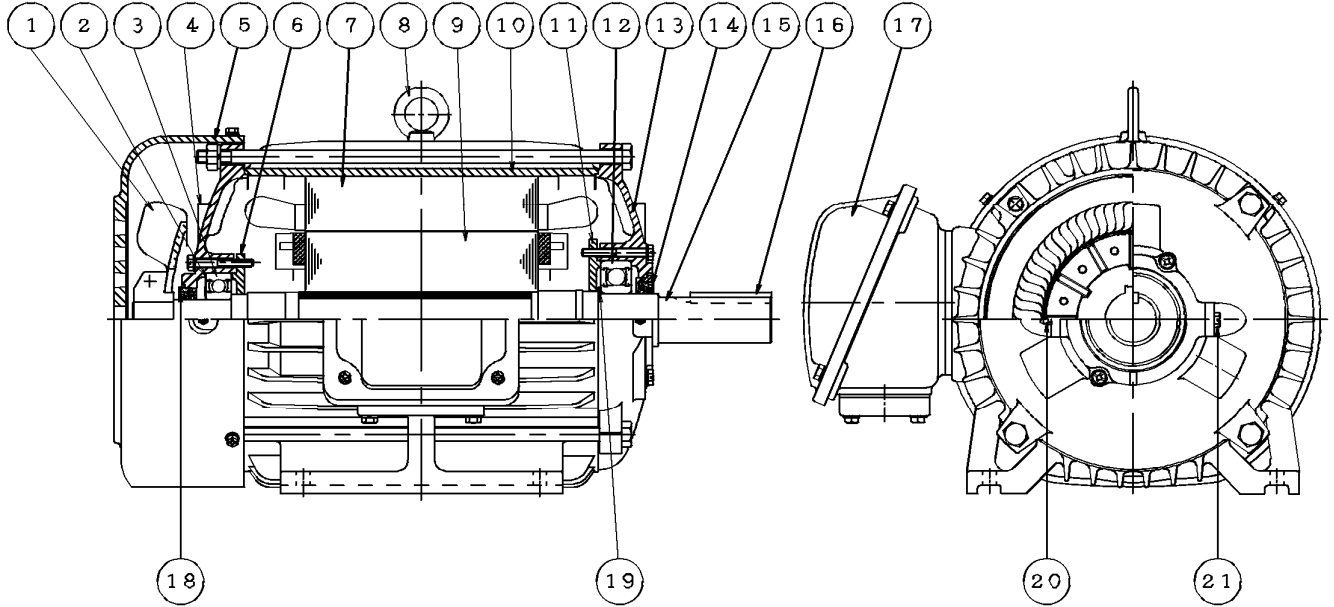
SCHEMATIC DRAWING

3-PHASE INDUCTION MOTORS
FRAME SIZE 213T ~ 215T

MODEL
AEHH8B

PAGE
13 of 18

Totally Enclosed Fan - Cooled Type, Squirrel - Cage Rotor.



ITEM	NAME	ITEM	NAME
1	EXTERNAL FAN	12	BEARING
2	PRE-LOAD SPRING	13	END BRACKET
3	BEARING	14	INPRO/SEALS™
4	END BRACKET	15	SHAFT
5	FAN COVER	16	KEY
6	BEARING CAP (BEARING COVER-INNER)	17	TERMINAL HOUSING
7	STATOR	18	INPRO/SEALS™
8	LIFTING EYE (EYE BOLT)	19	COLLAR (STOP RING-BEARING)
9	ROTOR	20	GREASE NIPPLE
10	FRAME	21	GREASE DISCHARGE PLUG
11	BEARING CAP (BEARING COVER-INNER)		

APPD.	Sam.Huang	1-Jun-03
CHKD.	Teng-Yun.Wu	12-May-03
DWN.	Clive.Huang	25-Mar-03

TECO Electric & Machinery Co., Ltd.

DWG. NO.
31057D98509

ISSUED
2-Jun-03

REVISED

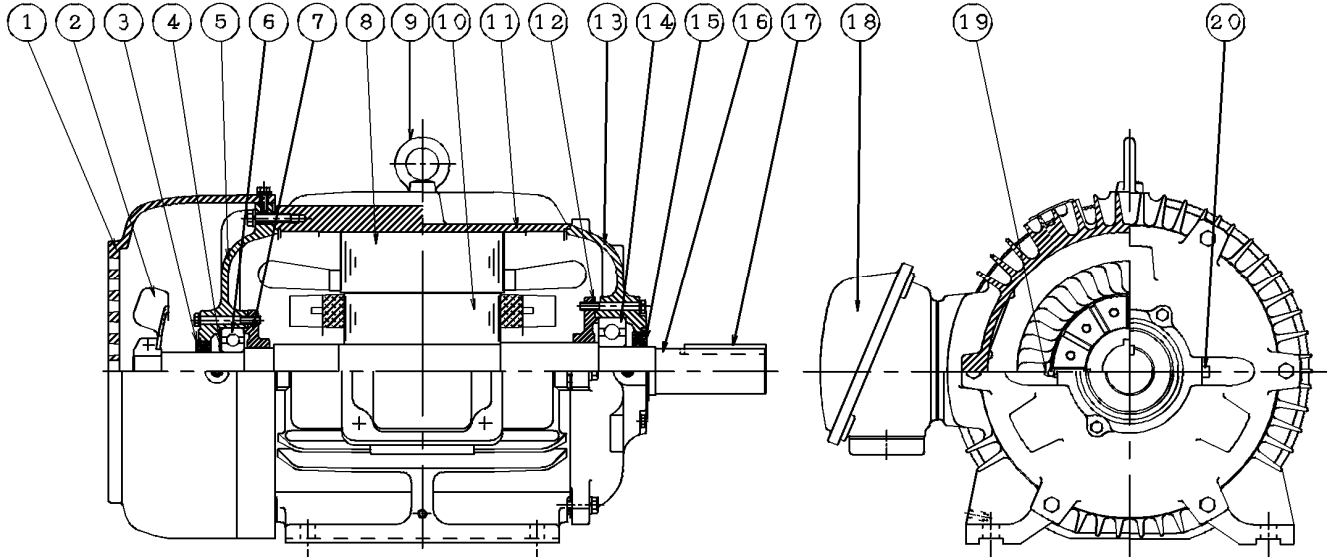
SCHEMATIC DRAWING

3-PHASE INDUCTION MOTORS
FRAME SIZE 254T ~ 286TS

MODEL
AEHH8B

PAGE
14 of 18

Totally Enclosed Fan - Cooled Type, Squirrel - Cage Rotor.



ITEM	NAME	ITEM	NAME
1	FAN COVER	11	FRAME
2	EXTERNAL FAN	12	BEARING CAP (BEARING COVER-INNER)
3	INPRO/SEALS™	13	END BRACKET
4	PRE-LOAD SPRING	14	BEARING
5	END BRACKET	15	INPRO/SEALS™
6	BEARING	16	SHAFT
7	BEARING CAP (BEARING COVER-INNER)	17	KEY
8	STATOR	18	TERMINAL HOUSING
9	LIFTING EYE (EYE BOLT)	19	GREASE NIPPLE
10	ROTOR	20	GREASE DISCHARGE PLUG

APPD.	Sam.Huang	1-Jun-03
CHKD.	Teng-Yun.Wu	12-May-03
DWN.	Clive.Huang	25-Mar-03

TECO Electric & Machinery Co., Ltd.

DWG. NO.
31057D98510

ISSUED
2-Jun-03

REVISED

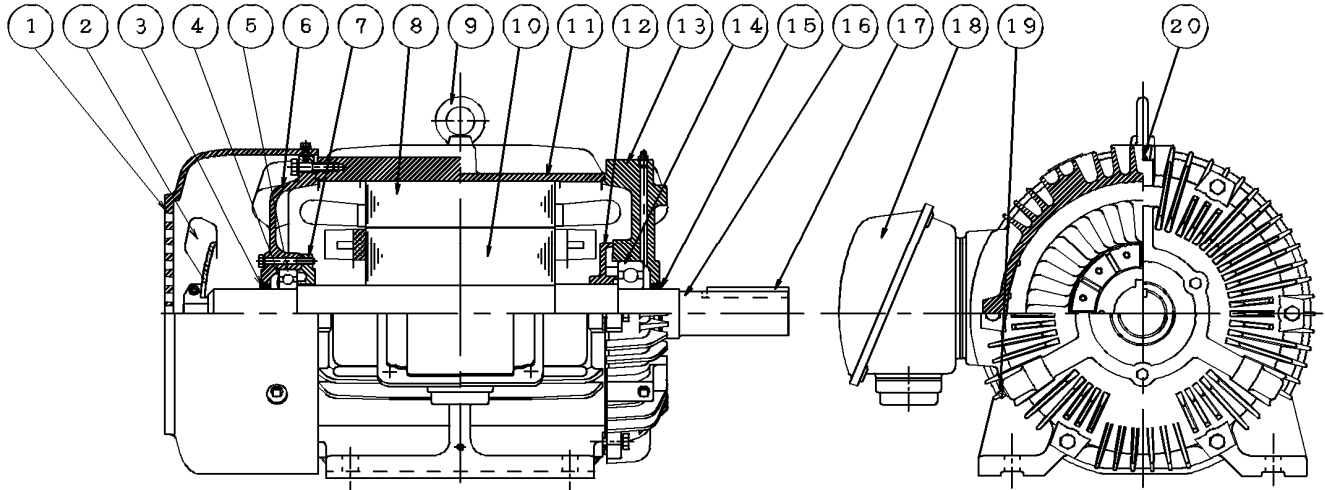
SCHEMATIC DRAWING

3-PHASE INDUCTION MOTORS
FRAME SIZE 324T ~ 365TS

MODEL
AEHH8B

PAGE
15 of 18

Totally Enclosed Fan - Cooled Type, Squirrel - Cage Rotor.



ITEM	NAME	ITEM	NAME
1	FAN COVER	11	FRAME
2	EXTERNAL FAN	12	BEARING CAP (BEARING COVER-INNER)
3	INPRO/SEALS™	13	END BRACKET
4	PRE-LOAD SPRING	14	BEARING
5	BEARING	15	INPRO/SEALS™
6	END BRACKET	16	SHAFT
7	BEARING CAP (BEARING COVER-INNER)	17	KEY
8	STATOR	18	TERMINAL HOUSING
9	LIFTING EYE (EYE BOLT)	19	GREASE DISCHARGE PLUG
10	ROTOR	20	GREASE NIPPLE

APPD.	Sam.Huang	1-Jun-03
CHKD.	Teng-Yun.Wu	12-May-03
DWN.	Clive.Huang	25-Mar-03

TECO Electric & Machinery Co., Ltd.

DWG. NO.
31057D98511

ISSUED
2-Jun-03

REVISED

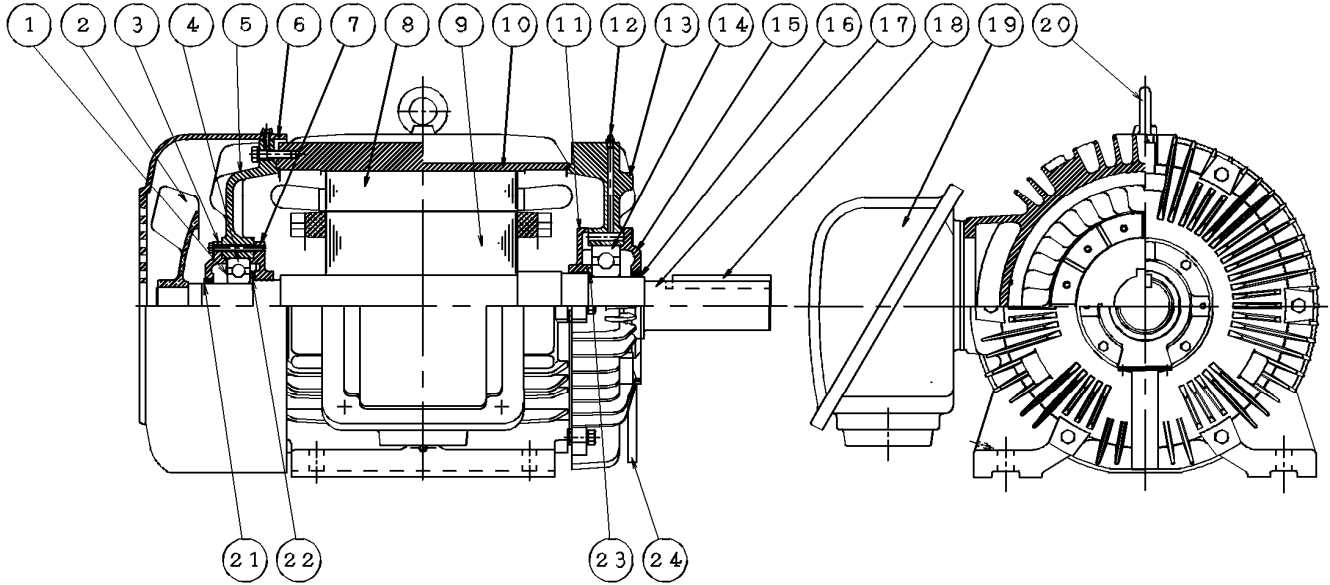
SCHEMATIC DRAWING

3-PHASE INDUCTION MOTORS
FRAME SIZE 404T ~ 405TS

MODEL
AEHH8B

PAGE
16 of 18

Totally Enclosed Fan - Cooled Type, Squirrel - Cage Rotor.



ITEM	NAME	ITEM	NAME
1	PRE-LOAD SPRING	13	END BRACKET
2	EXTERNAL FAN	14	BEARING
3	BEARING CAP (BEARING COVER-OUTER)	15	BEARING CAP (BEARING COVER-INNER)
4	BEARING	16	INPRO/SEALS™
5	END BRACKET	17	SHAFT
6	FAN COVER	18	KEY
7	BEARING CAP (BEARING COVER-INNER)	19	TERMINAL HOUSING
8	STATOR	20	LIFTING EYE (EYE BOLT)
9	ROTOR	21	INPRO/SEALS™
10	FARAME	22	COLLAR (STOP RING-BEARING)
11	BEARING CAP (BEARING COVER-INNER)	23	COLLAR (STOP RING-BEARING)
12	GREASE NIPPLE	24	GREASE DISCHARGE

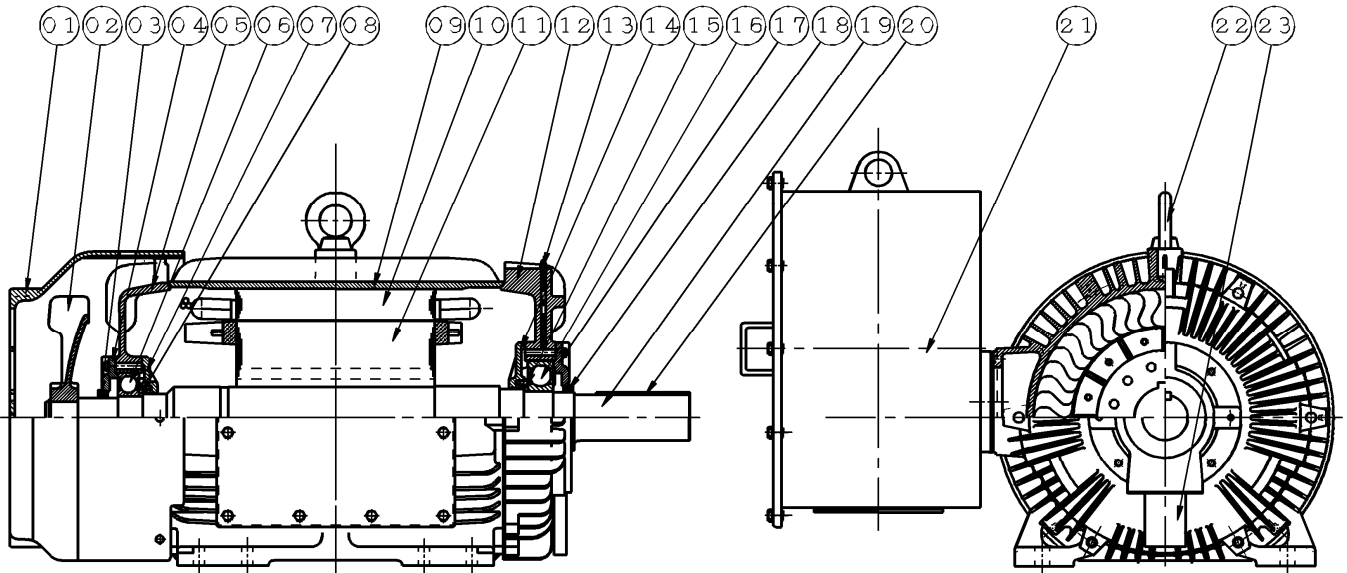
APPD.	Sam.Huang	1-Jun-03
CHKD.	Teng-Yun.Wu	12-May-03
DWN.	Clive.Huang	25-Mar-03

TECO Electric & Machinery Co., Ltd.

DWG. NO.
31057D98512

ISSUED 2-Jun-03	SCHEMATIC DRAWING	MODEL AEHH8B
REVISED 21-Jan-14		3-PHASE INDUCTION MOTORS FRAME SIZE 444T ~ 449T (4P and above)

Totally Enclosed Fan - Cooled Type, Squirrel - Cage Rotor.

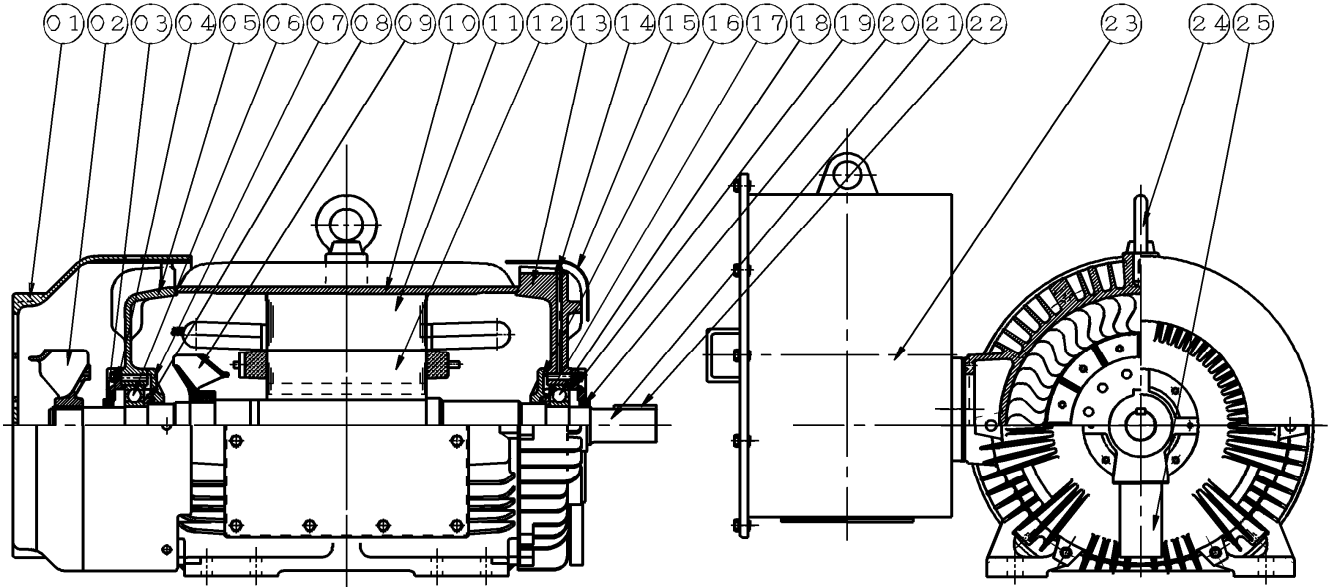


ITEM	NAME	ITEM	NAME
1	FAN COVER	13	GREASE NIPPLE
2	EXTERNAL FAN	14	BEARING CAP (BEARING COVER-INNER)
3	INPRO SEAL	15	COLLAR (STOP RING-BEARING)
4	BEARING CAP (BEARING COVER-OUTER)	16	BEARING
5	END BRACKET	17	BEARING CAP (BEARING COVER-OUTER)
6	BEARING	18	INPRO SEAL
7	BEARING CAP (BEARING COVER-INNER)	19	SHAFT
8	COLLAR (STOP RING-BEARING)	20	KEY
9	FARAME	21	TERMINAL HOUSING
10	STATOR	22	EYE BOLT
11	ROTOR	23	GREASE DISCHARGE
12	END BRACKET		

APPD.	Tsunghao	21-Jan-14	TECO Electric & Machinery Co., Ltd.	DWG. NO.	31057D98543
CHKD.	Tennis	17-Jan-14			
DWN.	AMO	10-Jan-14			

ISSUED 2-Jun-03	SCHEMATIC DRAWING	MODEL AEHH8B
REVISED 21-Jan-14		3-PHASE INDUCTION MOTORS FRAME SIZE 444TS ~ 449TS (2P)

Totally Enclosed Fan - Cooled Type, Squirrel - Cage Rotor.



ITEM	NAME	ITEM	NAME
1	FAN COVER	14	GREASE NIPPLE
2	EXTERNAL FAN	15	FAN COVER
3	INPRO SEAL	16	BEARING CAP (BEARING COVER-INNER)
4	BEARING CAP (BEARING COVER-OUTER)	17	COLLAR (STOP RING-BEARING)
5	END BRACKET	18	BEARING
6	BEARING	19	BEARING CAP (BEARING COVER-OUTER)
7	BEARING CAP (BEARING COVER-INNER)	20	INPRO SEAL
8	COLLAR (STOP RING-BEARING)	21	SHAFT
9	INNER FAN	22	KEY
10	FARAME	23	TERMINAL BOX
11	STATOR	24	EYE BOLT
12	ROTOR	25	GREASE DISCHARGE
13	END BRACKET		

APPD.	Tsunghao	21-Jan-14	TECO Electric & Machinery Co., Ltd.	DWG. NO.	31057D98544
CHKD.	Tennis	17-Jan-14			
DWN.	AMO	10-Jan-14			