

# 外形图 Outline

## 外形及安装尺寸图

安装方式: B35(IM 2001)

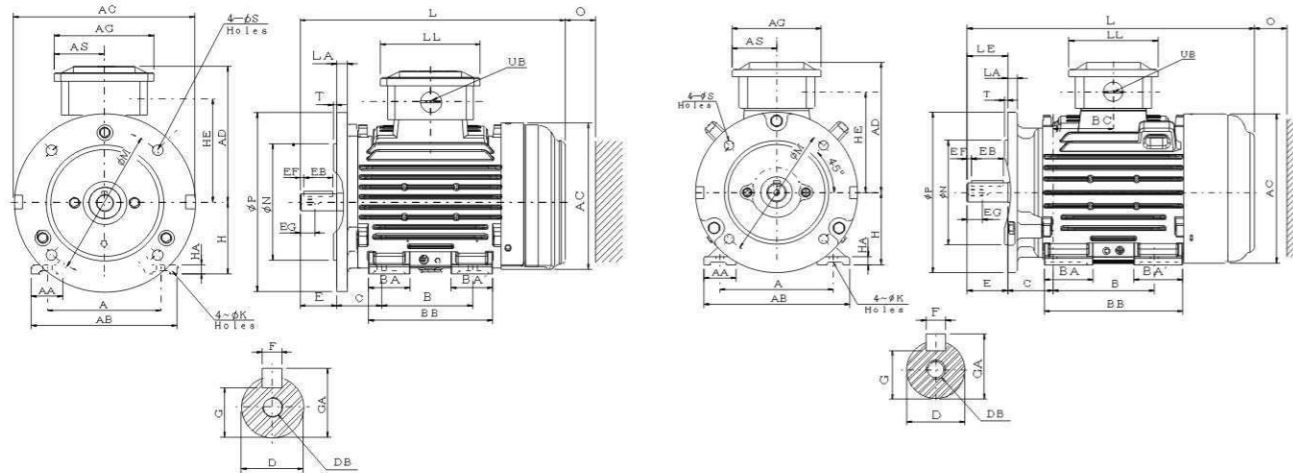


FIG.1

FIG.2

Dimension in mm

Output (kW)				FRAME SIZE	FIG. NO.	FLANGE DIMENSION								SHAFT EXTENSION											BEARING														
2P	4P	6P	---			LA	LE	M	N	P	S	T	A	AA	AB	AC	AD	AG	AS	B	B'	BA	BA'	BB	BC	C	H	D	E	EB	EF	EG	F	G	GA	DB	DRIVE END	OPPOSITE DRIVE END	
0.75	0.55	---	---	80M	1	12	40	165	130	200	12	3.5	125	34.5	161	177	152	110	55	100	---	46	46	137	53.5	50	80												
1.1	0.75	0.55	---			12	50	165	130	200	12	3.5	140	40	180	197	162	110	55	100	---	67.5	67.5	161	69.5	56	90												
1.5	1.1	0.75	---	90S	2	12	50	165	130	200	12	3.5	140	40	180	197	162	110	55	100	---	67.5	67.5	161	69.5	56	90												
2.2	1.5	1.1	---			12	50	165	130	200	12	3.5	140	40	180	197	162	110	55	125	---	60.5	60.5	171	74.5	56	90												
FRAME SIZE	HA	HE	K	L	LL	O	UB	SHAFT EXTENSION											BEARING																				
80M	10	115	10	292	110	40	M20X1.5	19	40	32	4	16	6	15.5	21.5	M6	6204ZZ	6203ZZ																					
90S	10	125	10	344	110	40	M20X1.5	24	50	40	5	19	8	20	27	M8	6205ZZ	6204ZZ																					
90L	10	125	10	354	110	40	M20X1.5	24	50	40	5	19	8	20	27	M8	6205ZZ	6204ZZ																					

Note : 1. Tolerance of shaft end diameter D: j6.

2. Tolerance of shaft center high H : +0, -0.5.

3. Tolerance of N : j6.

4. T-Box Assy with a cable grand body.

5. TEV1 only refers to the installation size ,the outline will be slightly different

(TEV1 仅参考安装尺寸, 外形会略有差异)



# 外形图 Outline

## 外形及安装尺寸图

安装方式: B35(IM 2001)

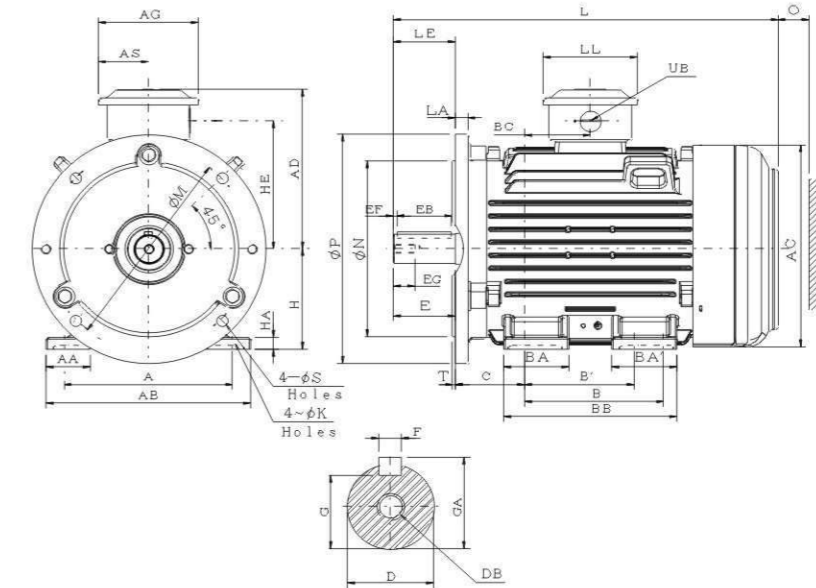


FIG.3

Dimension in mm

Output (kW)				FRAME SIZE	FIG. NO.	FLANGE DIMENSION								SHAFT EXTENSION											BEARING													
2P	4P	6P	---			LA	LE	M	N	P	S	T	A	AA	AB	AC	AD	AG	AS	B	B'	BA	BA'	BB	BC	C	D	E	EB	EF	EG	F	G	GA	DB	DRIVE END	OPPOSITE DRIVE END	
3	2.2	1.5	---	100L		16	60	215	180	250	14.5	4	160	40	200	219	178.5	127	63.5	140	---	66.5	66.5	181	72.5	63												
---	3	---	---			15	60	215	180	250	14.5	4	190	45	235	235	191	127	63.5	140	---	65.5	65.5	186	75	70												
4	4	2.2	---	112M		15	60	215	180	250	14.5	4	190	45	235	235	191	127	63.5	140	---	65.5	65.5	186	75	70												
5.5	5.5	3	---	132S	3	16	80	265	230	300	14.5	4	216	57	263	273	208.5	127	63.5	140	---	64	64	184	65	89												
7.5	---	---	---			16	80	265	230	300	14.5	4	216	57	263	273	208.5	127	63.5	178	140	---	83.5	83.5	222	84	89											
---	7.5	4	---	132M		16	80	265	230	300	14.5	4	216	57	263	273	208.5	127	63.5	178	140	---	83.5	83.5	222	84	89											
---	---	5.5	---			16	80	265	230	300	14.5	4	216	57	263	273	208.5	127	63.5	178	140	---	83.5	83.5	222	84	89											
FRAME SIZE	H	HA	HE	K	L	LL	O	UB	SHAFT EXTENSION											BEARING																		
100L	100	12	138	12	391	120	50	M25X1.5	28	60	50	5	22	8	24	31	M10	6206ZZ	6205ZZ																			
112M	112	13	150.5	12	412.5	120	50	M25X1.5	28	60	50	5	22	8	24	31	M10	6306ZZ	6305ZZ																			
132S	132	16	168	12	456	120	50	M25X1.5	38	80	70	5	28	10	33	41	M12	6308ZZ	6306ZZ																			
132M	132	16	168	12	494	120	50	M25X1.5	38	80	70	5	28	10	33	41	M12	6308ZZ	6306ZZ																			

Note : 1. Tolerance of shaft end diameter D :  $\phi 28 : j6$ ,  $\phi 38:k6$ .

2. Tolerance of shaft center high H : +0, -0.5.

3. Tolerance of N : j6.

4. T-Box Assy with a cable grand body.

5. TEV1 only refers to the installation size ,the outline will be slightly different

(TEV1 仅参考安装尺寸, 外形会略有差异)



# 外形图 Outline

## 外形及安装尺寸图

安装方式: B35(IM 2001)

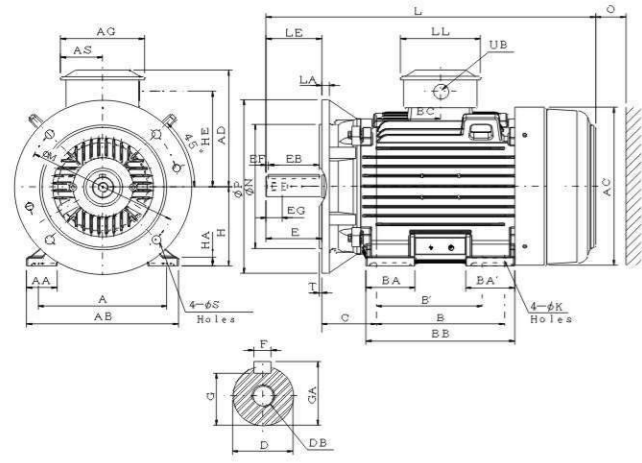


FIG.4

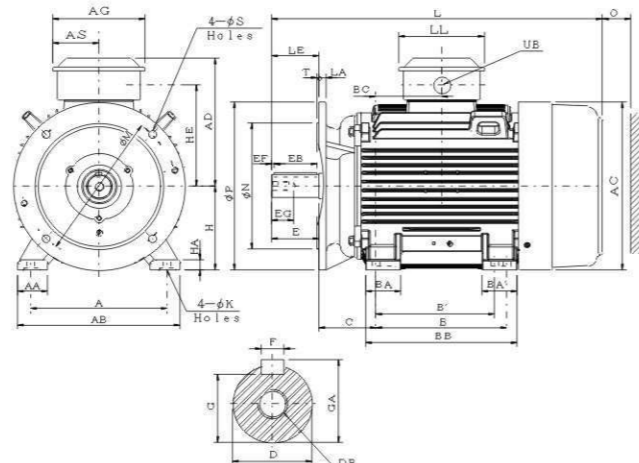


FIG.5

Dimension in mm

Output (kW)				FRAME SIZE	FIG. NO.	FLANGE DIMENSION								A	AA	AB	AC	AD	AG	AS	B	B'	BA	BA'	BB
2P	4P	6P	---			LA	LE	M	N	P	S	T													
11	11	7.5	---	160M	4	15	110	300	250	350	18.5	5	254	60	300	318	234	166	83	210	---	57	57	256	
18.5	15	11	---	160L		15	110	300	250	350	18.5	5	254	60	300	318	234	166	83	254	210	97	97	300	
22	18.5	---	---	180M	5	15	110	300	250	350	18.5	5	279	65	330	354	266	166	83	241	---	65	65	292	
---	22	15	---	180L		15	110	300	250	350	18.5	5	279	65	330	354	266	166	83	279	241	115	115	330	
30	30	18.5	22	200L		17	110	350	300	400	18.5	5	318	70	378	398	304.5	215	107.5	305	---	82	82	353	

FRAME SIZE	BC	C	H	HA	HE	K	L	LL	O	UB	SHAFT EXTENSION								BEARING		
											D	E	EB	EF	EG	F	G	GA	DB	DRIVE END	OPPOSITE DRIVE END
160M	105	108	160	18	192	14.5	608	160	60	M32X1.5	42	110	100	5	36	12	37	45	M16	6309ZZ	6307ZZ
160L	127	108	160	18	192	14.5	652	160	60	M32X1.5	42	110	100	5	36	12	37	45	M16	6309ZZ	6307ZZ
180M	120.5	121	180	20	218	14.5	672	160	70	M32X1.5	48	110	100	5	36	14	42.5	51.5	M16	(6311ZZC3) 6311ZZ	(6310ZZC3) 6310ZZ
180L	139.5	121	180	20	218	14.5	710	160	70	M32X1.5	48	110	100	5	36	14	42.5	51.5	M16	(6311ZZC3) 6311ZZ	(6310ZZC3) 6310ZZ
200L	152.5	133	200	24	241	18.5	770	199	80	M50X1.5	55	110	100	5	42	16	49	59	M20	(6312ZZC3) 6312ZZ	(6212ZZC3) 6212ZZ

- Note :**
1. Tolerance of shaft end diameter D : a)  $\phi 42 \sim \phi 48$  : k6 ; b)  $\phi 55$  : m6.
  2. Tolerance of shaft center high H : +0, -0.5.
  3. Tolerance of N : j6.
  4. Bearing No. In ( ) is for 2P.
  5. T-Box Assy with a cable grand body.
  6. TEV1 only refers to the installation size ,the outline will be slightly different (TEV1 仅参考安装尺寸, 外形会略有差异)

# 外形图 Outline

## 外形及安装尺寸图

安装方式: B35(IM 2001)

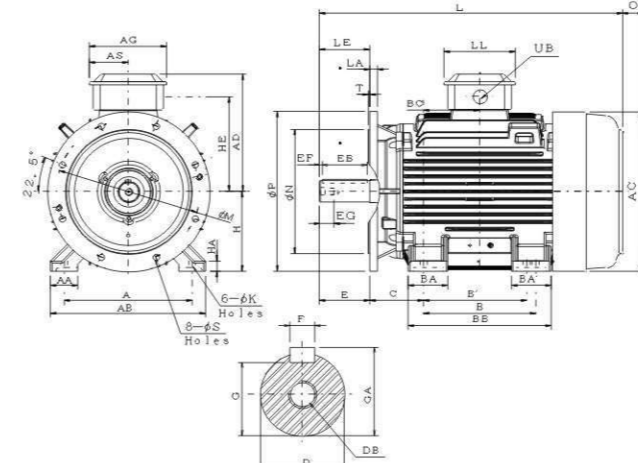


FIG.6

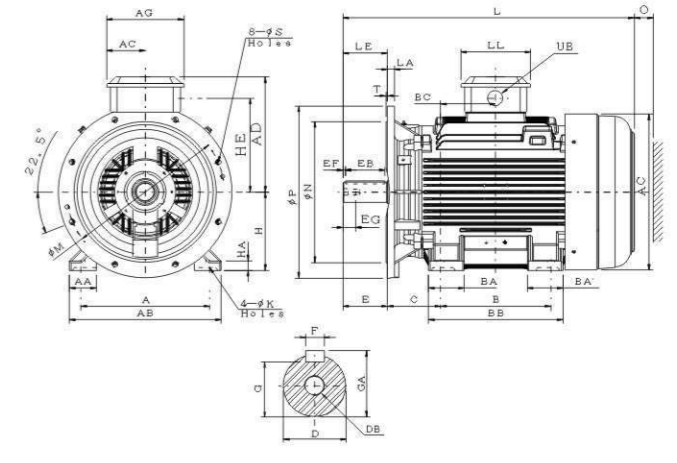


FIG.7

Dimension in mm

Output (kW)				FRAME SIZE	FIG. NO.	FLANGE DIMENSION								A	AA	AB	AC	AD	AG	AS	B	B'	BA	BA'	BB	BC
2P	4P	6P	---			LA	LE	M	N	P	S	T														
---	37	---	---	225SC	6	20	140	400	350	450	18.5	5	356	75	431	449	330.5	215	107.5	286	---	98.5	98.5	371	143	
45	---	---	---	225MA		20	110	400	350	450	18.5	5	356	75	431	449	330.5	215	107.5	311	286	110	110	396	155.5	
---	45	30	---	225MC		20	140	400	350	450	18.5	5	356	75	431	449	330.5	215	107.5	311	286	110	110	396	155.5	
55	---	---	---	250MA	7	22	140	500	450	550	18.5	5	406	85	480	499	372.5	249	124.5	349	---	112.5	112.5	425	174.5	
---	55	37	---	250MC		22	140	500	450	550	18.5	5	406	85	480	499	372.5	249	124.5	349	---	112.5	112.5	425	174.5	

FRAME SIZE	C	H	HA	HE	K	L	LL	O	UB	SHAFT EXTENSION								BEARING		
										D	E	EB	EF	EG	F	G	GA	DB	DRIVE END	OPPOSITE DRIVE END
225SC	149	225	28	267	18.5	816	199	90	M50X1.5	60	140	125	7.5	42	18	53	64	M20	(6312ZZC3) 6313ZZ	(6212ZZC3) 6213ZZ
225MA	149	225	28	267	18.5	811	199	90	M50X1.5	55	110	100	5	42	16	49	59	M20	(6312ZZC3) 6313ZZ	(6212ZZC3) 6213ZZ
225MC	149	225	28	267	18.5	841	199	90	M50X1.5	60	140	125	7.5	42	18	53	64	M20	(6312ZZC3) 6313ZZ	(6212ZZC3) 6213ZZ
250MA	168	250	30	300	24	921	224	105	M63X1.5	60	140	125	7.5	42	18	53	64	M20	6313-ZC3	6313-ZC3
250MC	168	250	30	300	24	921	224	105	M63X1.5	65	140	125	7.5	42	18	58	69	M20	6315-Z	6313-Z

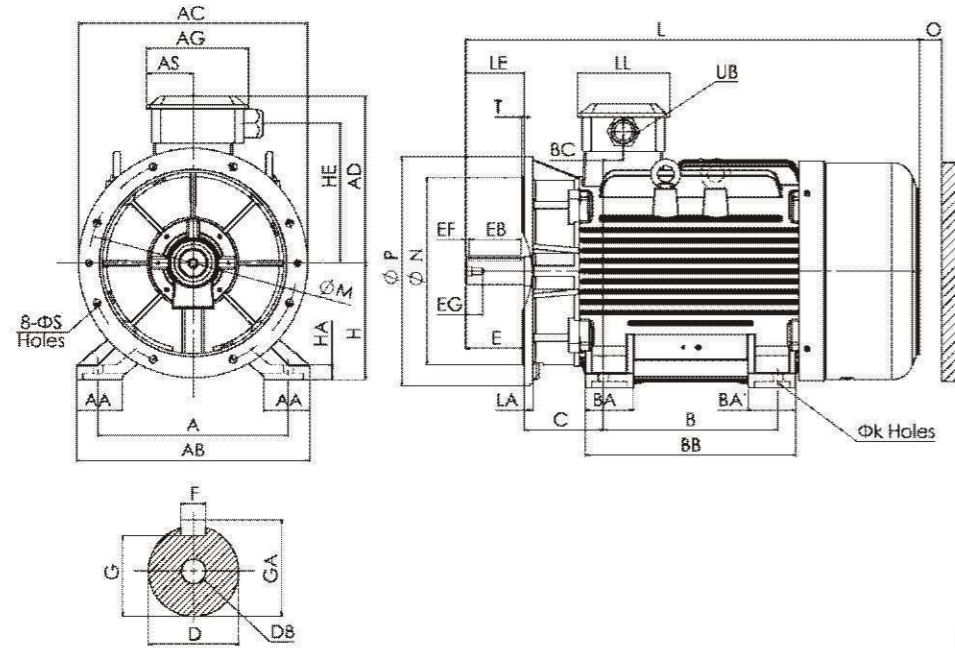
- Note :**
1. Tolerance of shaft end diameter D : m6.
  2. Tolerance of shaft center high H : +0, -0.5.
  3. Tolerance of N : j6.
  4. Bearing No. In ( ) is for 2P.
  5. TEV1 only refers to the installation size ,the outline will be slightly different (TEV1 仅参考安装尺寸, 外形会略有差异)



# 外形图 Outline

## 外形及安装尺寸图

安装方式: B35(IM 2001)



Dimension in mm

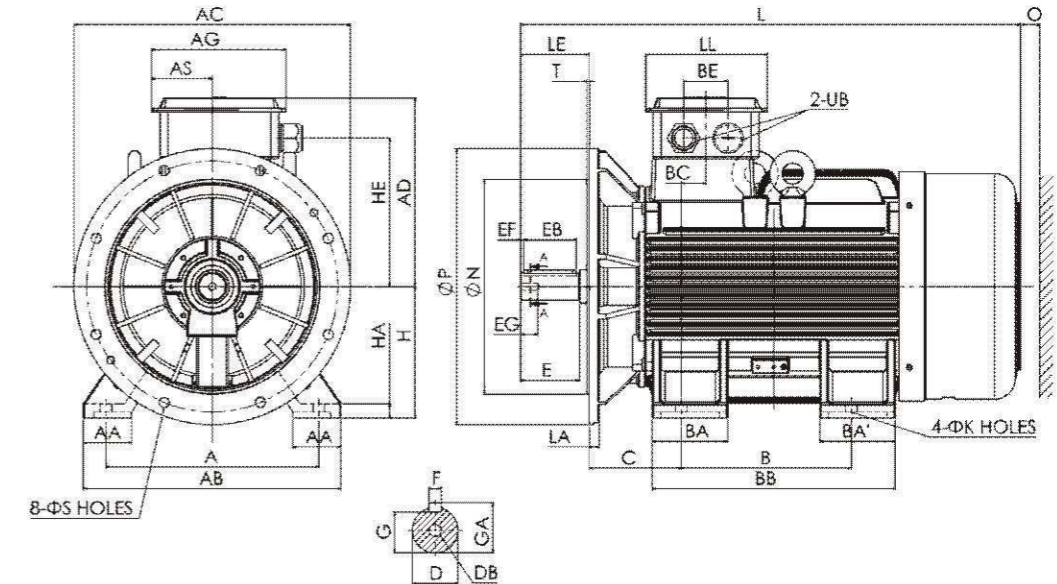
Output (kW)				FRAME SIZE	FLANGE DIMENSION								SHAFT EXTENSION								BEARING														
2P	4P	6P	---		LA	LE	M	N	P	S	T	A	AA	AB	AC	AD	AG	AS	B	BA	BA'	BB	BC	C	D	E	EB	EF	EG	F	G	GA	DB	DRIVE END	OPPOSITE DRIVE END
75	---	---	---	280SA	22	140	500	450	550	18.5	5	457	110	560	550	408.5	249	124.5	368	110	110	455	48	190	65	140	125	7.5	40	18	58	69	M20	6314C3	6314C3
---	75	45	---	280SB	22	140	500	450	550	18.5	5	457	110	560	550	408.5	249	124.5	368	110	110	455	48	190	75	140	125	7.5	40	20	67.5	79.5	M20	6318C3	6316C3
90	---	---	---	280MA	22	140	500	450	550	18.5	5	457	110	560	550	408.5	249	124.5	419	115	115	505	48	190	65	140	125	7.5	40	18	58	69	M20	6314C3	6314C3
---	90	55	---	280MB	22	140	500	450	550	18.5	5	457	110	560	550	408.5	249	124.5	419	115	115	505	48	190	75	140	125	7.5	40	20	67.5	79.5	M20	6318C3	6316C3

- Note :**
1. Tolerance of Shaft End Diameter D : m6
  2. Tolerance of Key Width F : h9
  3. Tolerance of Shaft Center Height H : +0, -1
  4. Tolerance of N : j6
  5. T-Box Assy with a cable grand body.
  6. TEV1 only refers to the installation size ,the outline will be slightly different  
(TEV1 仅参考安装尺寸, 外形会略有差异)

# 外形图 Outline

## 外形及安装尺寸图

安装方式: B35(IM 2001)



Dimension in mm

Output (kW)				FRAME SIZE	FLANGE DIMENSION								SHAFT EXTENSION								BEARING														
2P	4P	6P	---		LA	LE	M	N	P	S	T	A	AA	AB	AC	AD	AG	AS	B	BA	BA'	BB	BC	BE	D	E	EB	EF	EG	F	G	GA	DB	DRIVE END	OPPOSITE DRIVE END
110	---	---	---	315SA	25	140	600	550	660	24	6	508	115	615	660	456.5	318	144	406	180	180	580	53	106	65	140	125	7.5	40	18	58	69	M20	6316C3	6314C3
---	110	75	---	315SB	25	170	600	550	660	24	6	508	115	615	660	456.5	318	144	406	180	180	580	53	106	80	170	160	5	40	22	71	85	M20	6320C3	6316C3

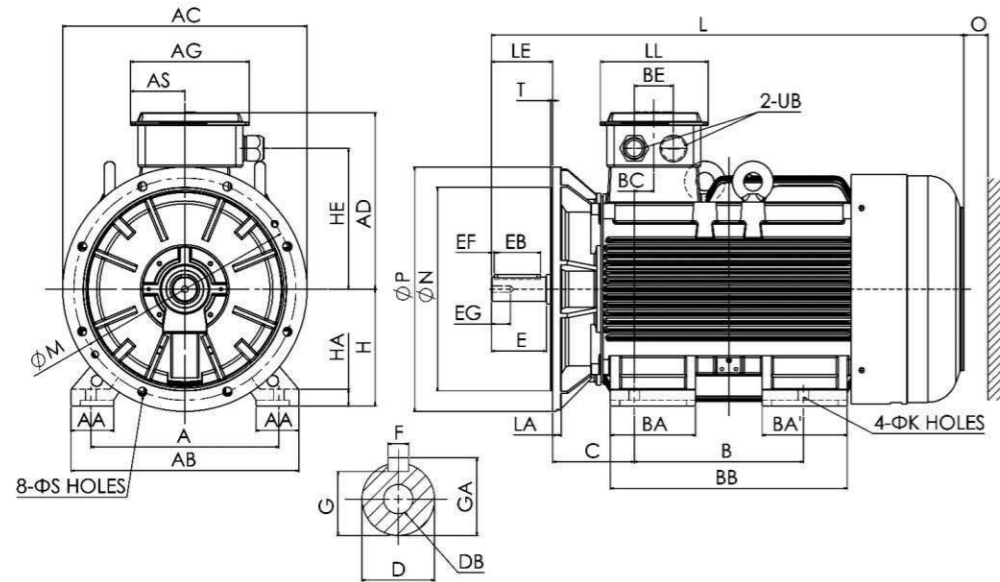
- Note :**
1. Tolerance of Shaft End Diameter D : m6
  2. Tolerance of Key Width F : h9
  3. Tolerance of Shaft Center Height H : +0, -1
  4. Tolerance of N : js6
  5. T-Box Assy with two cable grand bodies.
  6. TEV1 only refers to the installation size ,the outline will be slightly different  
(TEV1 仅参考安装尺寸, 外形会略有差异)



# 外形图 Outline

## 外形及安装尺寸图

安装方式: B35(IM 2001)



Dimension in mm

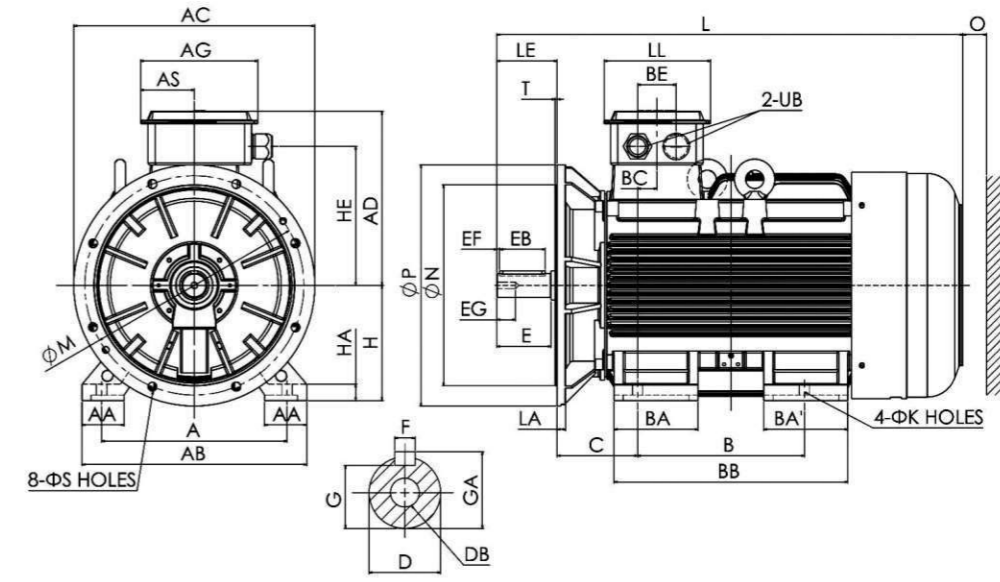
Output (kW)				FRAME SIZE	FLANGE DIMENSION								SHAFT EXTENSION								BEARING																	
2P	4P	6P	---		LA	LE	M	N	P	S	T	A	AA	AB	AC	AD	AG	AS	B	BA	BA'	BB	BC	BE	D	E	EB	EF	EG	F	G	GA	DB	DRIVE END	OPPOSITE DRIVE END			
132	---	---	---	315MA	25	140	600	550	660	24	6	508	115	630	660	481.5	318	144	457	240	240	640	53	106														
---	132	90	---	315MB	25	170	600	550	660	24	6	508	115	630	660	481.5	318	144	457	240	240	640	53	106														

- Note :**
1. Tolerance of Shaft End Diameter D : m6
  2. Tolerance of Key Width F : h9
  3. Tolerance of Shaft Center Height H : +0, -1
  4. Tolerance of N : js6
  5. T-Box Assy with two cable gland body.
  6. TEV1 only refers to the installation size, the outline will be slightly different  
(TEV1 仅参考安装尺寸, 外形会略有差异)

安装方式: B35(IM 2001)

# 外形图 Outline

## 外形及安装尺寸图



Dimension in mm

Output (kW)				FRAME SIZE	FLANGE DIMENSION								SHAFT EXTENSION								BEARING																		
2P	4P	6P	---		LA	LE	M	N	P	S	T	A	AA	AB	AC	AD	AG	AS	B	BA	BA'	BB	BC	BE	D	E	EB	EF	EG	F	G	GA	DB	DRIVE END	OPPOSITE DRIVE END				
160	---	---	---	315LA	25	140	600	550	660	24	6	508	130	630	660	481.5	318	144	508	230	230	740	53	106															
---	160	110	132	315LB	25	170	600	550	660	24	6	508	130	630	660	481.5	318	144	508	230	230	740	53	106															

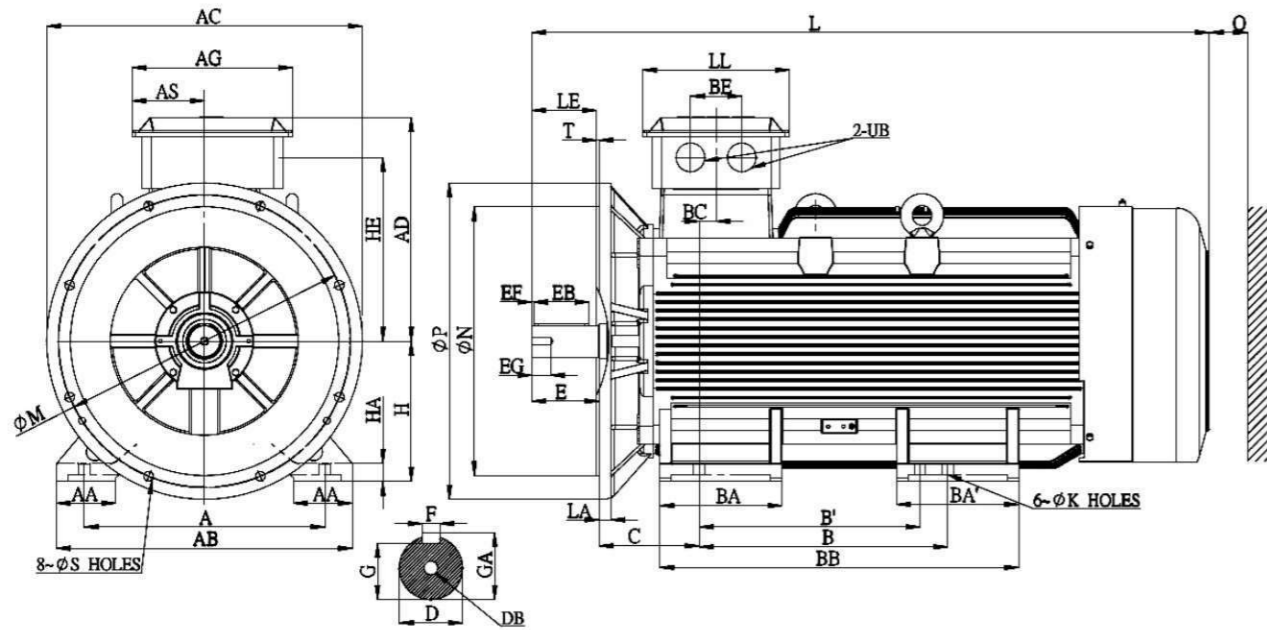
- Note :**
1. Tolerance of Shaft End Diameter D : m6
  2. Tolerance of Key Width F : h9
  3. Tolerance of Shaft Center Height H : +0, -1
  4. Tolerance of N : js6
  5. T-Box Assy with two cable gland body.
  6. TEV1 only refers to the installation size, the outline will be slightly different  
(TEV1 仅参考安装尺寸, 外形会略有差异)



# 外形图 Outline

## 外形及安装尺寸图

安装方式: B35(IM 2001)



Dimension in mm

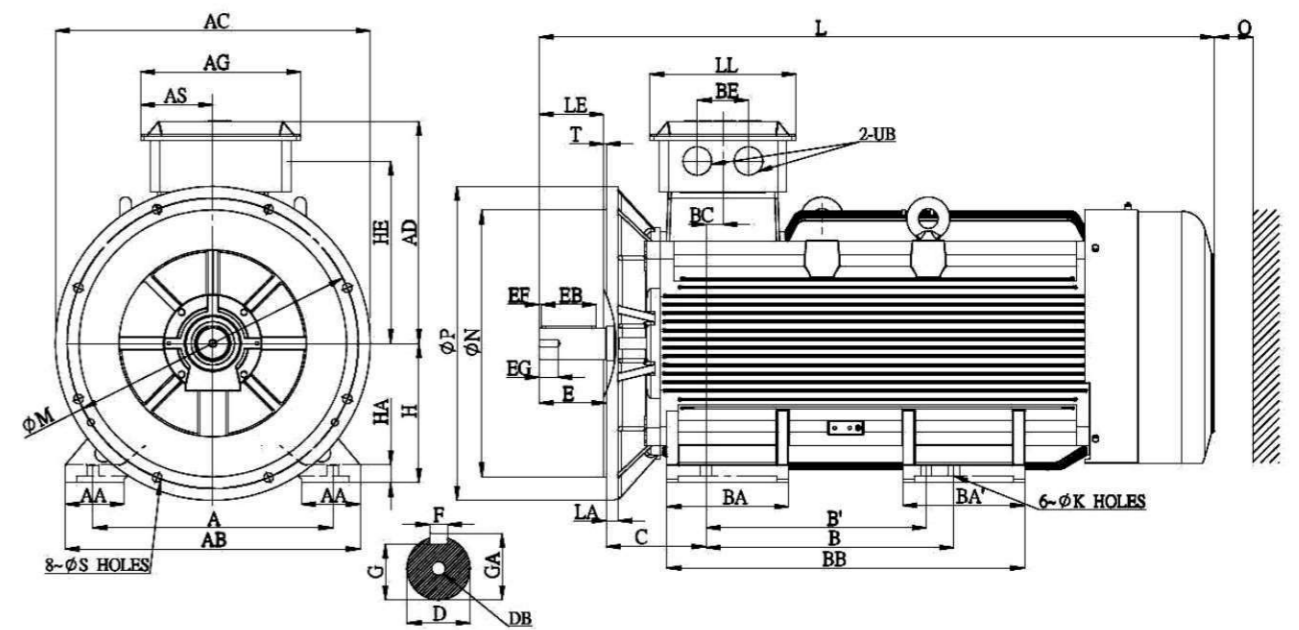
Output (kW)				FRAME SIZE	FLANGE DIMENSION								A	AA	AB	AC	AD	AG	AS	B	BA	BA'	BB	BC	BE
2P	4P	6P	---		LA	LE	M	N	P	S	T														
250	---	---	---	355MA	30	140	740	680	800	24	6	610	150	750	800	573	408	184	560	310	310	910	43	130	
---	250	160 200	---	355MB	30	170	740	680	800	24	6	610	150	750	800	573	408	184	560	310	310	910	43	130	
FRAME SIZE	C	H	HA	HE	K	L	LL	O	UB	SHAFT EXTENSION						BEARING									
										D	E	EB	EF	EG	F	G	GA	DB	DRIVE END	OPPOSITE DRIVE END					
355MA	254	355	45	469	28	1687	372	230	M72X2	75	140	125	7.5	40	20	67.5	79.5	M20	6317C3	6317C3					
355MB	254	355	45	469	28	1717	372	230	M72X2	95	170	160	5	48	25	86	100	M24	6322C3	6322C3					

- Note :**
1. Tolerance of Shaft End Diameter D : m6
  2. Tolerance of Key Width F : h9
  3. Tolerance of Shaft Center Height H : +0, -1
  4. Tolerance of N : js6
  5. TEV1 only refers to the installation size ,the outline will be slightly different  
(TEV1 仅参考安装尺寸, 外形会略有差异)

# 外形图 Outline

## 外形及安装尺寸图

安装方式: B35(IM 2001)



Dimension in mm

Output (kW)				FRAME SIZE	FLANGE DIMENSION								A	AA	AB	AC	AD	AG	AS	B	BA	BA'	BB	BC	BE
2P	4P	6P	---		LA	LE	M	N	P	S	T														
315	---	---	---	355LA	30	140	740	680	800	24	6	610	150	750	800	573	408	184	630	310	310	910	43	130	
---	315	250	---	355LB	30	170	740	680	800	24	6	610	150	750	800	573	408	184	630	310	310	910	43	130	
FRAME SIZE	C	H	HA	HE	K	L	LL	O	UB	SHAFT EXTENSION						BEARING									
										D	E	EB	EF	EG	F	G	GA	DB	DRIVE END	OPPOSITE DRIVE END					
355LA	254	355	45	469	28	1687	372	230	M72X2	75	140	125	7.5	40	20	67.5	79.5	M20	6317C3	6317C3					
355LB	254	355	45	469	28	1717	372	230	M72X2	95	170	160	5	48	25	86	100	M24	6322C3	6322C3					

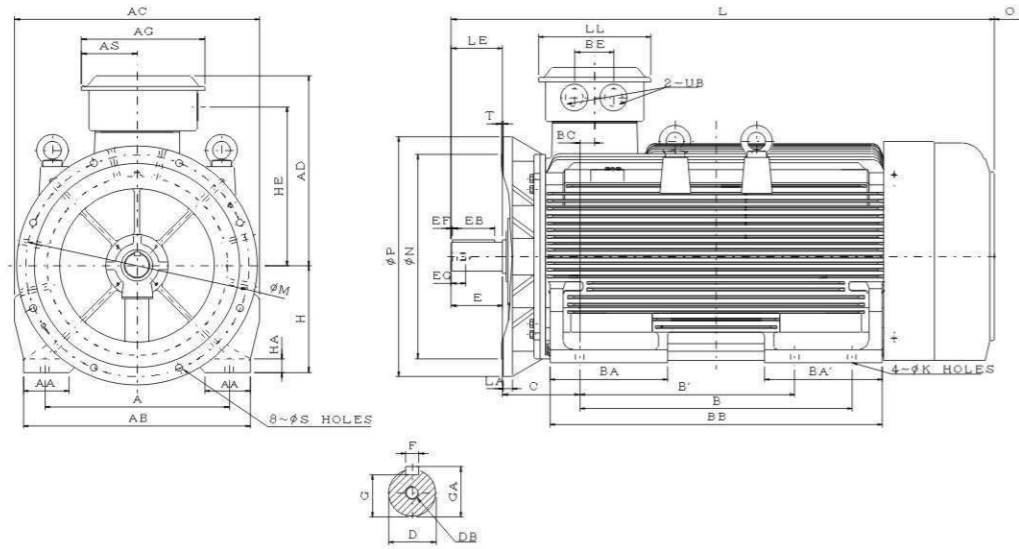
- Note :**
1. Tolerance of Shaft End Diameter D : m6
  2. Tolerance of Key Width F : h9
  3. Tolerance of Shaft Center Height H : +0, -1
  4. Tolerance of N : js6
  5. TEV1 only refers to the installation size ,the outline will be slightly different  
(TEV1 仅参考安装尺寸, 外形会略有差异)



# 外形图 Outline

## 外形及安装尺寸图

安装方式: B35(IM 2001)



Dimension in mm

Output (kW)				FRAME SIZE	FLANGE DIMENSION								SHAFT EXTENSION								BEARING				
2P	4P	6P	---		LA	LE	M	N	P	S	T	A	AA	AB	AC	AD	AG	AS	B	B'	BA	BA'	BB	BC	BE
355	400	---	---	355CA	30	140	740	680	800	24	6	610	150	750	810	633	408	184	710	900	390	390	1100	48	130
---	355	315	400	355CB	30	170	740	680	800	24	6	610	150	750	810	633	408	184	710	900	390	390	1100	48	130
FRAME SIZE	C	H	HA	HE	K	L	LL	O	UB	SHAFT EXTENSION				BEARING											
										D	E	EB	EF	EG	F	G	GA	DB	DRIVE END	OPPOSITE DRIVE END					
355CA	254	355	45	529	28	1765	372	230	M72X2	75	140	125	7.5	40	20	67.5	79.5	M20	6317C3	6317C3					
355CB	254	355	45	529	28	1795	372	230	M72X2	95	170	160	5	48	25	86	100	M24	6322C3	6322C3					

- Note :**
1. Tolerance of Shaft End Diameter D : m6
  2. Tolerance of Key Width F : h9
  3. Tolerance of Shaft Center Height H : +0, -1
  4. Tolerance of N : js6
  5. T-Box Assy with two cable grand bodies.
  6. TEV1 only refers to the installation size ,the outline will be slightly different  
(TEV1 仅参考安装尺寸, 外形会略有差异)

安装方式: V1(IM 3011)

# 外形图 Outline

## 外形及安装尺寸图

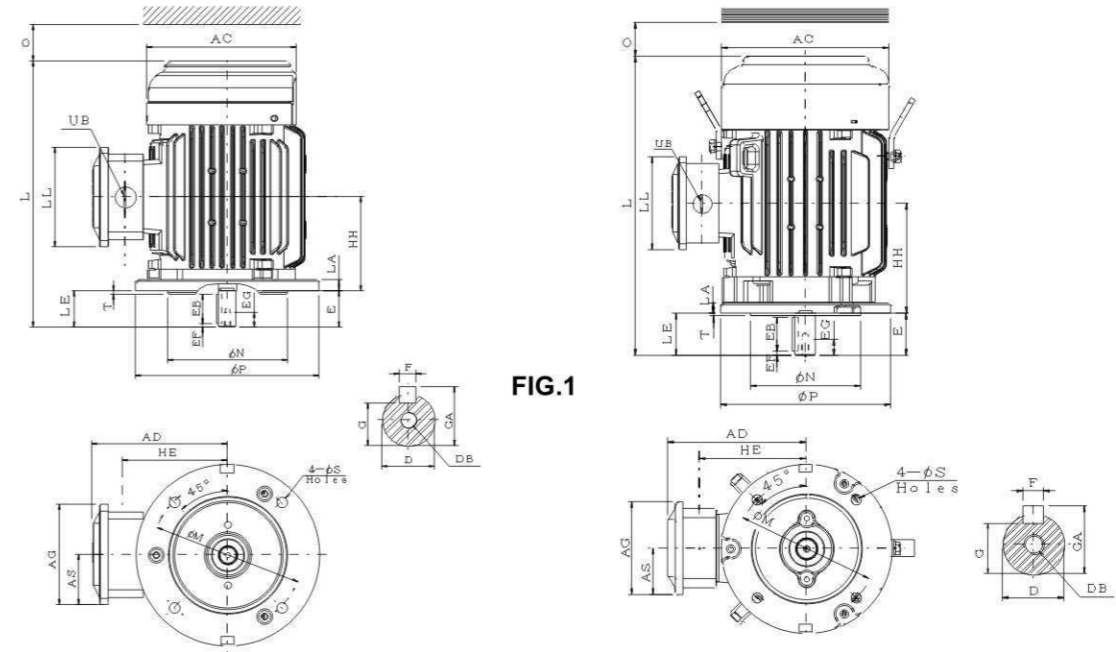


FIG.1

FIG.2

Dimension in mm

Output (kW)				FRAME SIZE	FIG. NO.	FLANGE DIMENSION								AC	AD	AG	AS	HE	HH	L
2P	4P	6P	---			LA	LE	M	N	P	S	T								
0.75	0.55	---	---	80M	1	12	40	165	130	200	12	3.5	177	152	110	55	115	103.5	292	
1.1	0.75	0.55	---	90S	2	12	50	165	130	200	12	3.5	197	162	110	55	125	125.5	344	
1.5	1.1	0.75	---			12	50	165	130	200	12	3.5	197	162	110	55	125	130.5	354	
2.2	1.5	1.1	---	90L		12	50	165	130	200	12	3.5	197	162	110	55	125	130.5	354	
FRAME SIZE	LL	O	UB	SHAFT EXTENSION								BEARING								
				D	E	EB	EF	EG	F	G	GA	DB	DRIVE END	OPPOSITE DRIVE END						
80M	110	40	M20X1.5	19	40	32	4	16	6	15.5	21.5	M6	6204ZZ	6203ZZ						
90S	110	40	M20X1.5	24	50	40	5	19	8	20	27	M8	6205ZZ	6204ZZ						
90L	110	40	M20X1.5	24	50	40	5	19	8	20	27	M8	6205ZZ	6204ZZ						

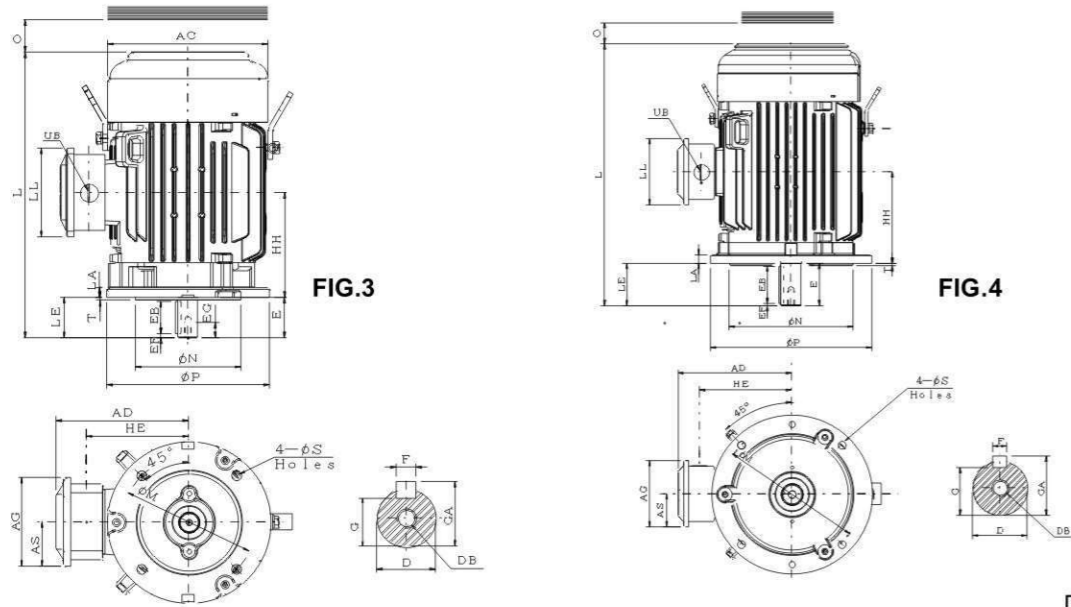
- Note :**
1. Tolerance of shaft end diameter D: j6.
  2. Tolerance of N : j6.
  3. T-Box Assy with a cable grand body.
  4. TEV1 only refers to the installation size ,the outline will be slightly different  
(TEV1 仅参考安装尺寸, 外形会略有差异)



# 外形图 Outline

## 外形及安装尺寸图

安装方式: V1(IM 3011)



Dimension in mm

Output (kW)				FRAME SIZE	FIG. NO.	FLANGE DIMENSION								AC	AD	AG	AS	HE	HH	L	LL	O
2P	4P	6P	---			LA	LE	M	N	P	S	T										
3	2.2	1.5	---	100L	4	16	60	215	180	250	14.5	4	219	178.5	127	63.5	138	135.5	391	120	50	
---	3	---	---			16	60	215	180	250	14.5	4	219	178.5	127	63.5	138	135.5	391	120	50	
4	4	2.2	---	112M	3	15	60	215	180	250	14.5	4	235	191	127	63.5	150.5	145	412.5	120	50	
5.5	5.5	3	---	132S	4	16	80	265	230	300	14.5	4	273	208.5	127	63.5	168	154	456	120	50	
7.5	---	---	---			16	80	265	230	300	14.5	4	273	208.5	127	63.5	168	154	456	120	50	
---	7.5	4	---	132M	4	16	80	265	230	300	14.5	4	273	208.5	127	63.5	168	173	494	120	50	
---	---	5.5	---			16	80	265	230	300	14.5	4	273	208.5	127	63.5	168	173	494	120	50	

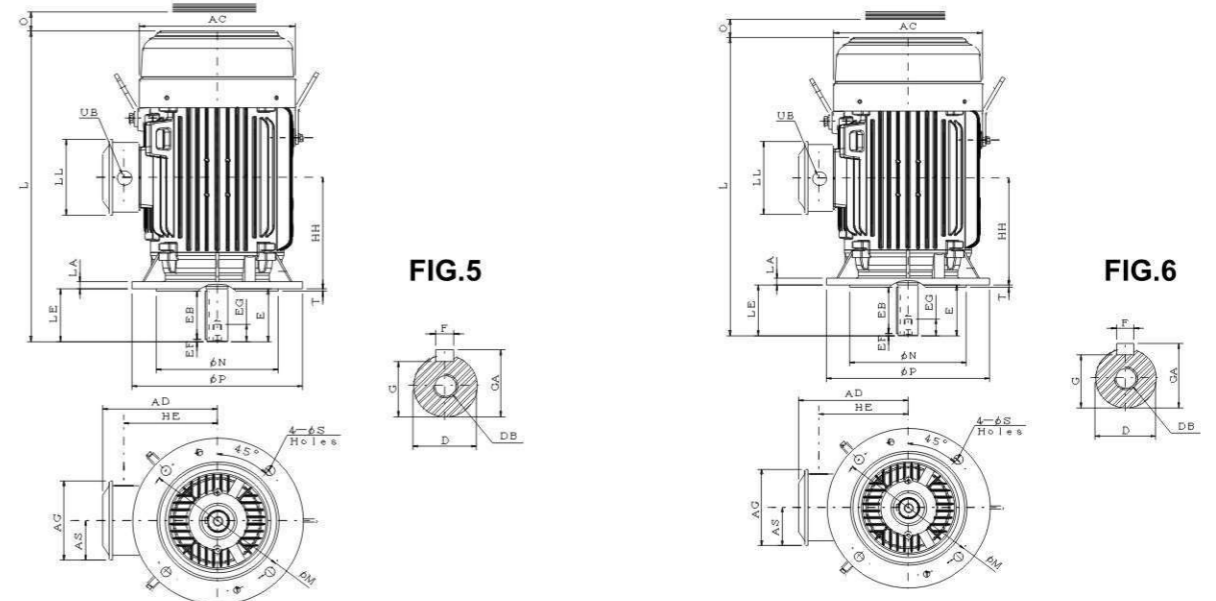
FRAME SIZE	UB	SHAFT EXTENSION								BEARING		
		D	E	EB	EF	EG	F	G	GA	DB	DRIVE END	OPPOSITE DRIVE END
100L	M25X1.5	28	60	50	5	22	8	24	31	M10	6206ZZ	6205ZZ
112M	M25X1.5	28	60	50	5	22	8	24	31	M10	6306ZZ	6305ZZ
132S	M25X1.5	38	80	70	5	28	10	33	41	M12	6308ZZ	6306ZZ
132M	M25X1.5	38	80	70	5	28	10	33	41	M12	6308ZZ	6306ZZ

- Note :**
1. Tolerance of shaft end diameter D :  $\phi 28 : j6$ ,  $\phi 38 : k6$ .
  2. Tolerance of N : j6.
  3. T-Box Assy with a cable grand body.
  4. TEV1 only refers to the installation size ,the outline will be slightly different (TEV1 仅参考安装尺寸, 外形会略有差异)

# 外形图 Outline

## 外形及安装尺寸图

安装方式: V1(IM 3011)



Dimension in mm

Output (kW)				FRAME SIZE	FIG. NO.	FLANGE DIMENSION								AC	AD	AG	AS	HE	HH	L	LL	O
2P	4P	6P	---			LA	LE	M	N	P	S	T										
11	11	7.5	---	160M	5	15	110	300	250	350	18.5	5	350	234	166	83	192	213	608	160	60	
18.5	15	11	---			15	110	300	250	350	18.5	5	350	234	166	83	192	235	652	160	60	
22	18.5	---	---	180M	6	15	110	300	250	350	18.5	5	354	266	166	83	218	241.5	672	160	70	
---	22	15	---			15	110	300	250	350	18.5	5	354	266	166	83	218	260.5	710	160	70	
30	30	18.5	---	200L	6	17	110	350	300	400	18.5	5	400	304.5	215	107.5	241	285.5	770	199	80	
37	---	22	---			17	110	350	300	400	18.5	5	400	304.5	215	107.5	241	285.5	770	199	80	

FRAME SIZE	UB	SHAFT EXTENSION								BEARING		
		D	E	EB	EF	EG	F	G	GA	DB	DRIVE END	OPPOSITE DRIVE END
160M	M32X1.5	42	110	100	5	36	12	37	45	M16	6309ZZ	6307ZZ
160L	M32X1.5	42	110	100	5	36	12	37	45	M16	6309ZZ	6307ZZ
180M	M32X1.5	48	110	100	5	36	14	42.5	51.5	M16	(6311ZZC3)	(6310ZZC3)
180L	M32X1.5	48	110	100	5	36	14	42.5	51.5	M16	6311ZZ	6310ZZ
200L	M50X1.5	55	110	100	5	42	16	49	59	M20	(6312ZZC3)	(6212ZZC3)
											6312ZZ	6212ZZ

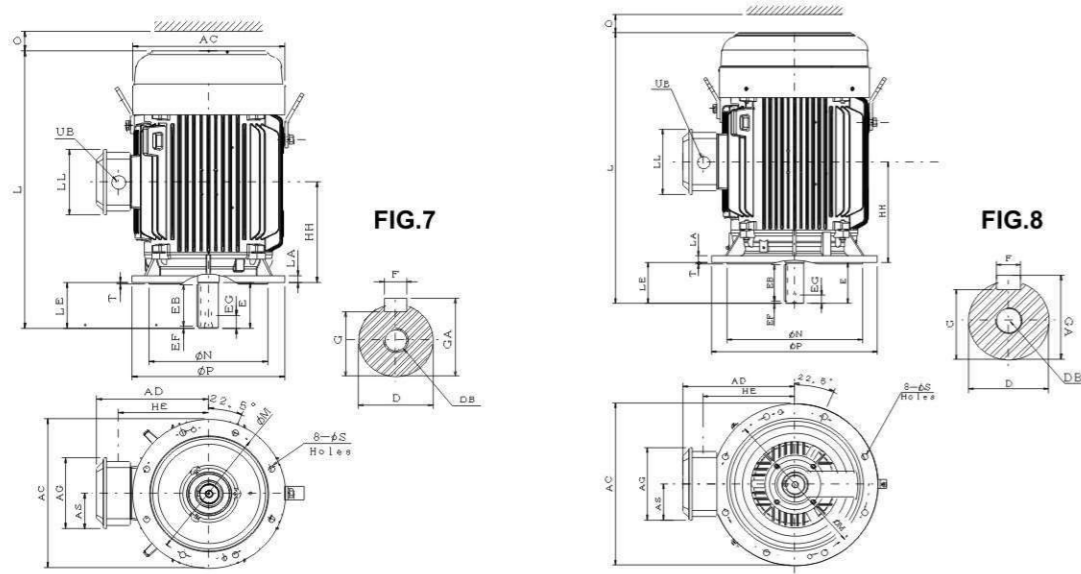
- Note :**
1. Tolerance of shaft end diameter D : a)  $\phi 42 \sim \phi 48 : k6$ ; b)  $\phi 55 : m6$ .
  2. Tolerance of N : j6.
  3. Bearing No. In ( ) is for 2P.
  4. T-Box Assy with a cable grand body.
  5. TEV1 only refers to the installation size ,the outline will be slightly different (TEV1 仅参考安装尺寸, 外形会略有差异)



# 外形图 Outline

## 外形及安装尺寸图

安装方式: V1(IM 3011)



Dimension in mm

Output (kW)				FRAME SIZE	FIG. NO.	FLANGE DIMENSION								AC	AD	AG	AS	HE	HH	L
2P	4P	6P	---			LA	LE	M	N	P	S	T								
---	37	---	---	225SC	7	20	140	400	350	450	18.5	5	450	330.5	215	107.5	267	292	816	
45	---	---	---	225MA		20	110	400	350	450	18.5	5	450	330.5	215	107.5	267	304.5	811	
---	45	30	---	225MC		20	140	400	350	450	18.5	5	450	330.5	215	107.5	267	304.5	841	
55	---	---	---	250MA	8	22	140	500	450	550	18.5	5	550	372.5	249	124.5	300	342.5	921	
---	55	37	---	250MC		22	140	500	450	550	18.5	5	550	372.5	249	124.5	300	342.5	921	

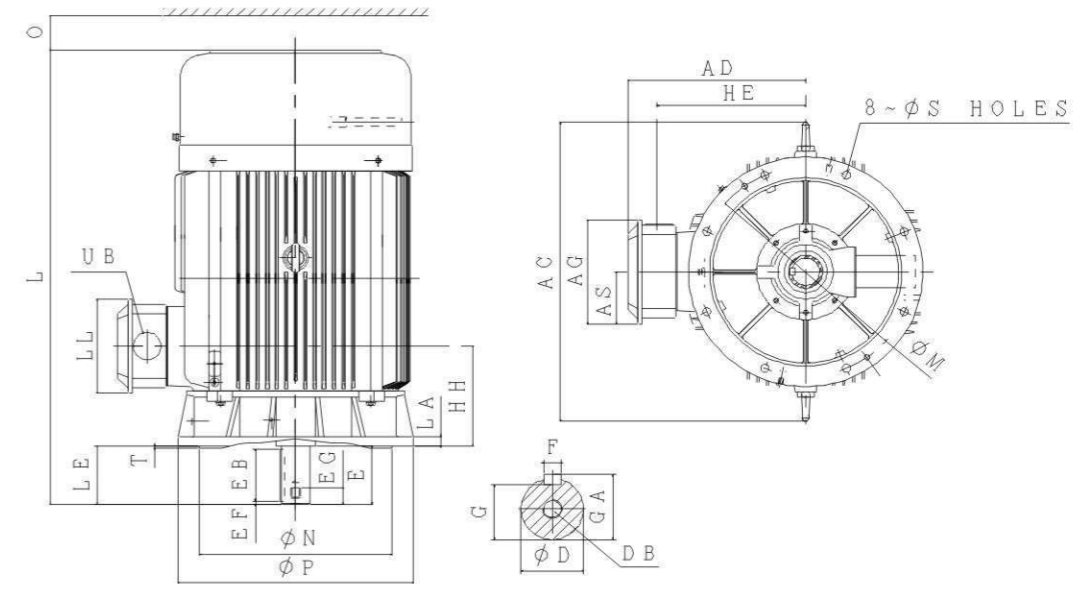
FRAME SIZE	LL	O	UB	SHAFT EXTENSION										BEARING	
				D	E	EB	EF	EG	F	G	GA	DB	DRIVE END	OPPOSITE DRIVE END	
225SC	199	90	M50X1.5	60	140	125	7.5	42	18	53	64	M20	(6312ZZC3) 6313ZZ	(6212ZZC3) 6213ZZ	
225MA	199	90	M50X1.5	55	110	100	5	42	16	49	59	M20			
225MC	199	90	M50X1.5	60	140	125	7.5	42	18	53	64	M20			
250MA	224	105	M63X1.5	60	140	125	7.5	42	18	53	64	M20	6313-ZC3	6313-ZC3	
250MC	224	105	M63X1.5	65	140	125	7.5	42	18	58	69	M20	6315-Z	6313-Z	

- Note :**
1. Tolerance of shaft end diameter D : m6.
  2. Tolerance of N : j6.
  3. Bearing No. In ( ) is for 2P. 4. T-Box Assy with a cable grand body.
  5. TEV1 only refers to the installation size ,the outline will be slightly different  
(TEV1 仅参考安装尺寸, 外形会略有差异)

安装方式: V1(IM 3011)

# 外形图 Outline

## 外形及安装尺寸图



Dimension in mm

Output (kW)				FRAME SIZE	FLANGE DIMENSION								AC	AD	AG	AS	HE	HH	L
2P	4P	6P	---		LA	LE	M	N	P	S	T								
75	---	---	---	280SA	22	140	500	450	550	18.5	5	709	408.5	249	124.5	335	238	1037.5	
---	75	45	---	280SB	22	140	500	450	550	18.5	5	709	408.5	249	124.5	335	238	1037.5	
90	---	---	---	280MA	22	140	500	450	550	18.5	5	709	408.5	249	124.5	335	238	1087.5	
---	90	55	---	280MB	22	140	500	450	550	18.5	5	709	408.5	249	124.5	335	238	1087.5	

FRAME SIZE	LL	O	UB	SHAFT EXTENSION										BEARING	
				D	E	EB	EF	EG	F	G	GA	DB	DRIVE END	OPPOSITE DRIVE END	
280SA	224	140	M63X1.5	65	140	125	7.5	40	18	58	69	M20	6314C3	6314C3	
280SB	224	140	M63X1.5	75	140	125	7.5	40	20	67.5	79.5	M20	6318C3	6316C3	
280MA	224	140	M63X1.5	65	140	125	7.5	40	18	58	69	M20	6314C3	6314C3	
280MB	224	140	M63X1.5	75	140	125	7.5	40	20	67.5	79.5	M20	6318C3	6316C3	

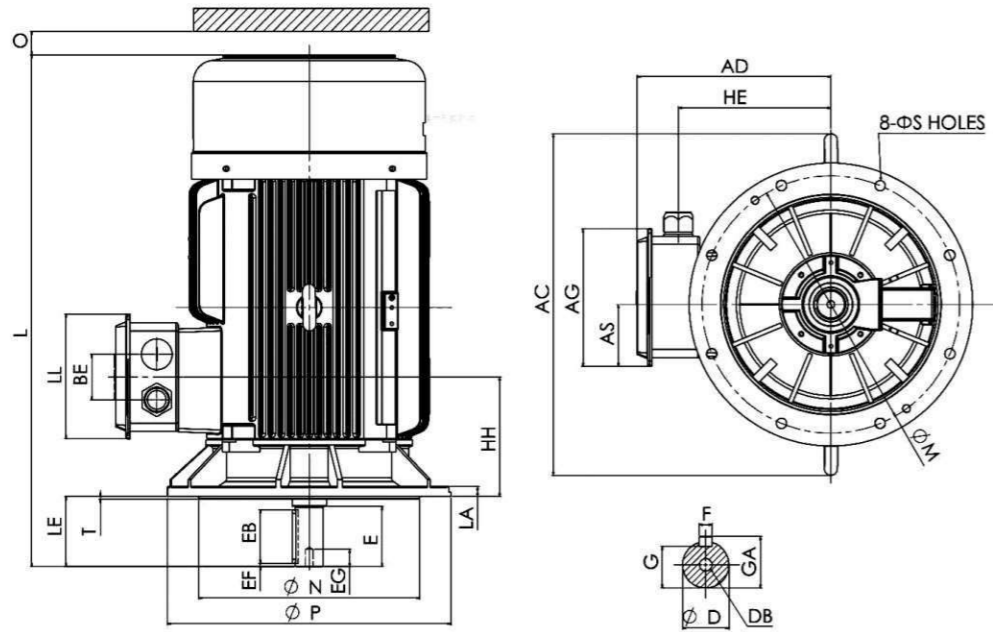
- Note :**
1. Tolerance of Shaft End Diameter D : m6
  2. Tolerance of Key Width F : h9
  3. Tolerance of N : j6
  4. T-Box Assy with a cable grand body.
  5. TEV1 only refers to the installation size ,the outline will be slightly different  
(TEV1 仅参考安装尺寸, 外形会略有差异)



# 外形图 Outline

## 外形及安装尺寸图

安装方式: V1(IM 3011)



Dimension in mm

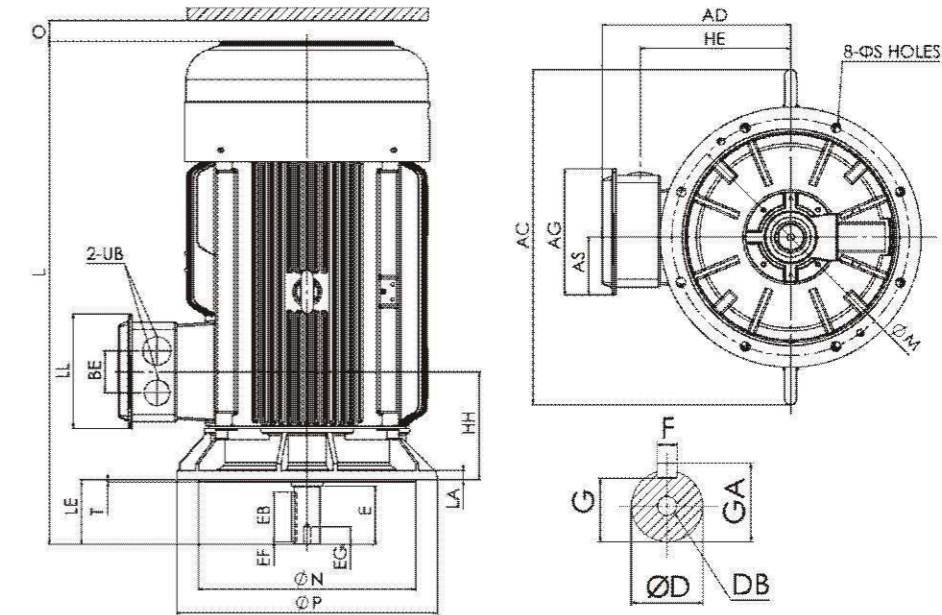
Output (kW)				FRAME SIZE	FLANGE DIMENSION							AC	AD	AG	AS	BE	HE	HH	L	LL	O
2P	4P	6P	---		LA	LE	M	N	P	S	T										
110	---	---	---	315SA	25	140	600	550	660	24	6	715	456.5	318	144	106	359	269	1162	288	180
---	110	75	---	315SB	25	170	600	550	660	24	6	715	456.5	318	144	106	359	269	1192	288	180
FRAME SIZE	UB	SHAFT EXTENSION								BEARING											
		D	E	EB	EF	EG	F	G	GA	DB	DRIVE END	OPPOSITE DRIVE END									
315SA	M63X1.5	65	140	125	7.5	40	18	58	69	M20	6316C3	7314B									
315SB	M63X1.5	80	170	160	5	40	22	71	85	M20	6320C3	6316C3									

- Note :**
1. Tolerance of Shaft End Diameter D : m6
  2. Tolerance of Key Width F : h9
  3. Tolerance of N : js6
  4. T-Box Assy with two cable grand bodys.
  5. TEV1 only refers to the installation size ,the outline will be slightly different  
(TEV1 仅参考安装尺寸, 外形会略有差异)

# 外形图 Outline

## 外形及安装尺寸图

安装方式: V1(IM 3011)



Dimension in mm

Output (kW)				FRAME SIZE	FLANGE DIMENSION							AC	AD	AG	AS	BE	HE	HH	L	LL	O
2P	4P	6P	---		LA	LE	M	N	P	S	T										
132	---	---	---	315MA	25	140	600	550	660	24	6	769	481.5	318	144	106	384	269	1246	288	180
---	132	90	---	315MB	25	170	600	550	660	24	6	769	481.5	318	144	106	384	269	1276	288	180
FRAME SIZE	UB	SHAFT EXTENSION								BEARING											
		D	E	EB	EF	EG	F	G	GA	DB	DRIVE END	OPPOSITE DRIVE END									
315MA	M63X1.5	65	140	125	7.5	40	18	58	69	M20	6316C3	7314B									
315MB	M63X1.5	80	170	160	5	40	22	71	85	M20	6320C3	6316C3									

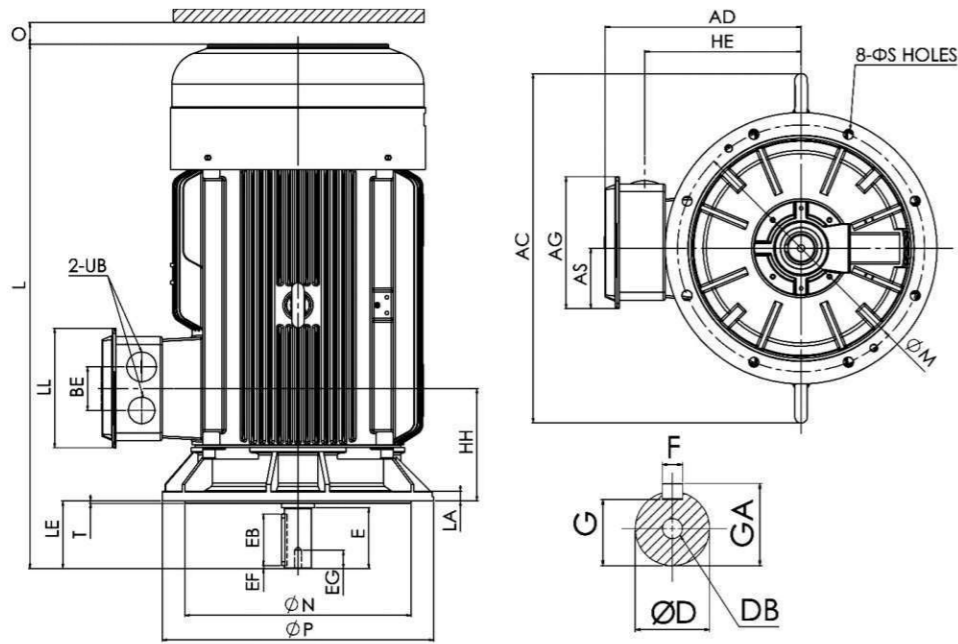
- Note :**
1. Tolerance of Shaft End Diameter D : m6
  2. Tolerance of Key Width F : h9
  3. Tolerance of N : js6
  4. T-Box Assy with two cable grand bodys.
  5. TEV1 only refers to the installation size ,the outline will be slightly different  
(TEV1 仅参考安装尺寸, 外形会略有差异)



# 外形图 Outline

## 外形及安装尺寸图

安装方式: V1(IM 3011)



Dimension in mm

Output (kW)				FRAME SIZE	FLANGE DIMENSION								AC	AD	AG	AS	BE	HE	HH	L	LL	O
2P	4P	6P	---		LA	LE	M	N	P	S	T											
160	---	---	---	315LA	25	140	600	550	660	24	6	769	481.5	318	144	106	384	269	1346	288	180	
---	160	110	---	315LB	25	170	600	550	660	24	6	769	481.5	318	144	106	384	269	1376	288	180	

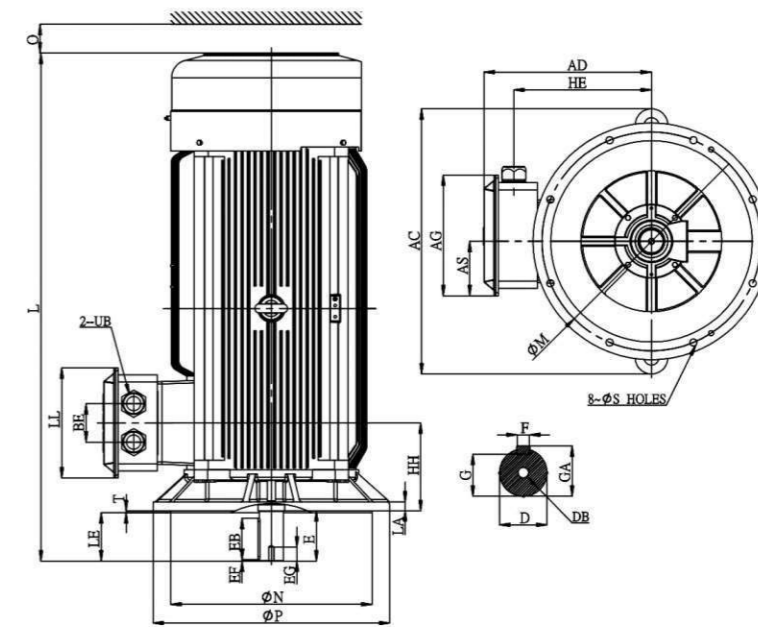
FRAME SIZE	UB	SHAFT EXTENSION								BEARING		
		D	E	EB	EF	EG	F	G	GA	DB	DRIVE END	OPPOSITE DRIVE END
315LA	M63X1.5	65	140	125	7.5	40	18	58	69	M20	6316C3	7314B
315LB	M63X1.5	80	170	160	5	40	22	71	85	M20	6320C3	6316C3

- Note :**
1. Tolerance of Shaft End Diameter D : m6
  2. Tolerance of Key Width F : h9
  3. Tolerance of N : js6
  4. T-Box Assy with two cable grand bodys.
  5. TEV1 only refers to the installation size ,the outline will be slightly different  
(TEV1 仅参考安装尺寸, 外形会略有差异)

# 外形图 Outline

## 外形及安装尺寸图

安装方式: V1(IM 3011)



Dimension in mm

Output (kW)				FRAME SIZE	FLANGE DIMENSION								AC	AD	AG	AS	BE	HE	HH	L	LL	O
2P	4P	6P	---		LA	LE	M	N	P	S	T											
250	---	---	---	355MA	30	140	740	680	800	24	6	896	573	408	184	130	469	297	1687	372	230	
---	250	160	---	355MB	30	170	740	680	800	24	6	896	573	408	184	130	469	297	1717	372	230	

FRAME SIZE	UB	SHAFT EXTENSION								BEARING		
		D	E	EB	EF	EG	F	G	GA	DB	DRIVE END	OPPOSITE DRIVE END
355MA	M72X2	75	140	125	7.5	40	20	67.5	79.5	M20	6317C3	7317B
355MB	M72X2	95	170	160	5	48	25	86	100	M24	6322C3	7322B

- Note :**
1. Tolerance of Shaft End Diameter D : m6
  2. Tolerance of Key Width F : h9
  3. Tolerance of N : js6
  4. T-Box Assy with two cable grand bodys.
  5. TEV1 only refers to the installation size ,the outline will be slightly different  
(TEV1 仅参考安装尺寸, 外形会略有差异)



