

# 外形图 Outline

## 外形及安装尺寸图

安装方式: B3(IM 1001)

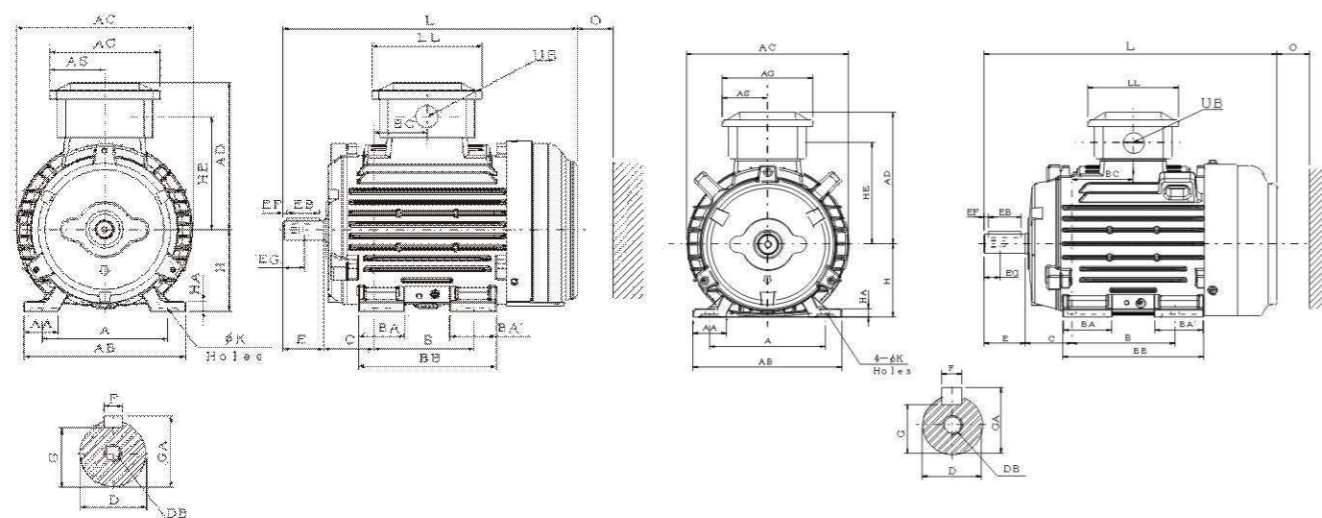


FIG.1

FIG.2

FIG.3

Dimension in mm

Output (kW)				FRAME SIZE	FIG. NO.	Dimension in mm																
2P	4P	6P	---			A	AA	AB	AC	AD	AG	AS	B	B'	BA	BA'	BB	BC	C	H	HA	HE
0.75	0.55	---	---	80M	1	125	34.5	161	177	152	110	55	100	---	46	46	137	53.5	50	80	10	115
1.1	0.75	0.55	---			140	40	180	197	162	110	55	100	---	67.5	67.5	161	69.5	56	90	10	125
1.5	1.1	0.75	---	90L	2	140	40	180	197	162	110	55	125	---	60.5	60.5	171	74.5	56	90	10	125
2.2	1.5	1.1	---			160	40	200	219	178.5	127	63.5	140	---	66.5	66.5	181	72.5	63	100	12	138
3	2.2	1.5	---	100L	2	190	45	235	235	191	127	63.5	140	---	65.5	65.5	186	75	70	112	13	150.5
---	3	---	---			140	40	180	197	162	110	55	100	---	67.5	67.5	161	69.5	56	90	10	125

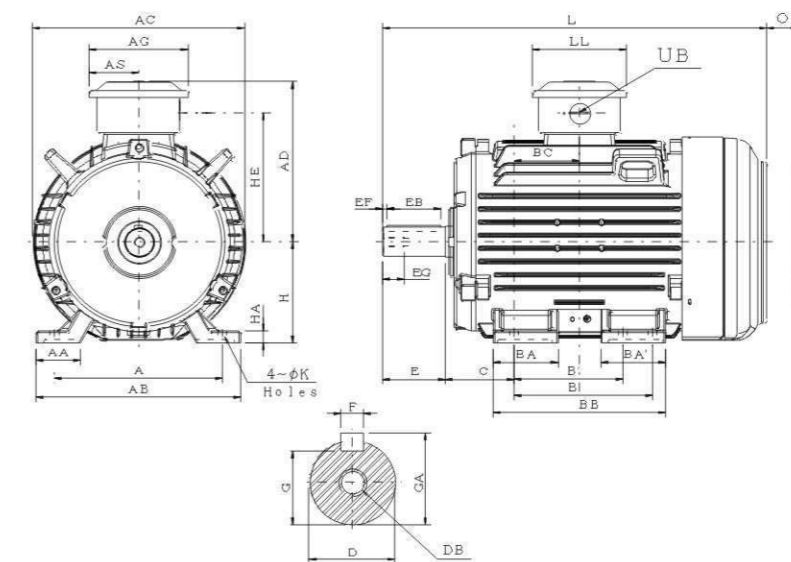
FRAME SIZE	K	L	LL	O	UB	SHAFT EXTENSION							BEARING			
						D	E	EB	EF	EG	F	G	GA	DB	DRIVE END	OPPOSITE DRIVE END
80M	10	292	110	40	M20X1.5	19	40	32	4	16	6	15.5	21.5	M6	6204ZZ	6203ZZ
90S	10	344	110	40	M20X1.5	24	50	40	5	19	8	20	27	M8	6205ZZ	6204ZZ
90L	10	354	110	40	M20X1.5	24	50	40	5	19	8	20	27	M8	6205ZZ	6204ZZ
100L	12	391	120	50	M25X1.5	28	60	50	5	22	8	24	31	M10	6206ZZ	6205ZZ
112M	12	412.5	120	50	M25X1.5	28	60	50	5	22	8	24	31	M10	6306ZZ	6305ZZ

- Note :**
1. Tolerance of shaft end diameter D : j6.
  2. Tolerance of shaft center high H : +0, -0.5.
  3. T-Box Assy with a cable grand body.
  4. TEV1 only refers to the installation size ,the outline will be slightly different  
(TEV1 仅参考安装尺寸, 外形会略有差异)

# 外形图 Outline

## 外形及安装尺寸图

安装方式: B3(IM 1001)



Dimension in mm

Output (kW)				FRAME SIZE	FIG. NO.	Dimension in mm																		
2P	4P	6P	---			A	AA	AB	AC	AD	AG	AS	B	B'	BA	BA'	BB	BC	C	H	HA	HE	K	L
5.5	5.5	3	---	132S	3	216	57	263	273	208.5	127	63.5	140	---	64	64	184	65	89	132	16	168	12	456
7.5	---	---	---			216	57	263	273	208.5	127	63.5	178	140	83.5	83.5	222	84	89	132	16	168	12	494
---	7.5	4	---	132M	3	216	57	263	273	208.5	127	63.5	178	140	83.5	83.5	222	84	89	132	16	168	12	494
---	---	5.5	---			216	57	263	273	208.5	127	63.5	178	140	83.5	83.5	222	84	89	132	16	168	12	494

- Note :**
1. Tolerance of shaft end diameter D : k6.
  2. Tolerance of shaft center high H : +0, -0.5.
  3. T-Box Assy with a cable grand body.
  4. TEV1 only refers to the installation size ,the outline will be slightly different  
(TEV1 仅参考安装尺寸, 外形会略有差异)

# 外形图 Outline

## 外形及安装尺寸图

安装方式: B3(IM 1001)

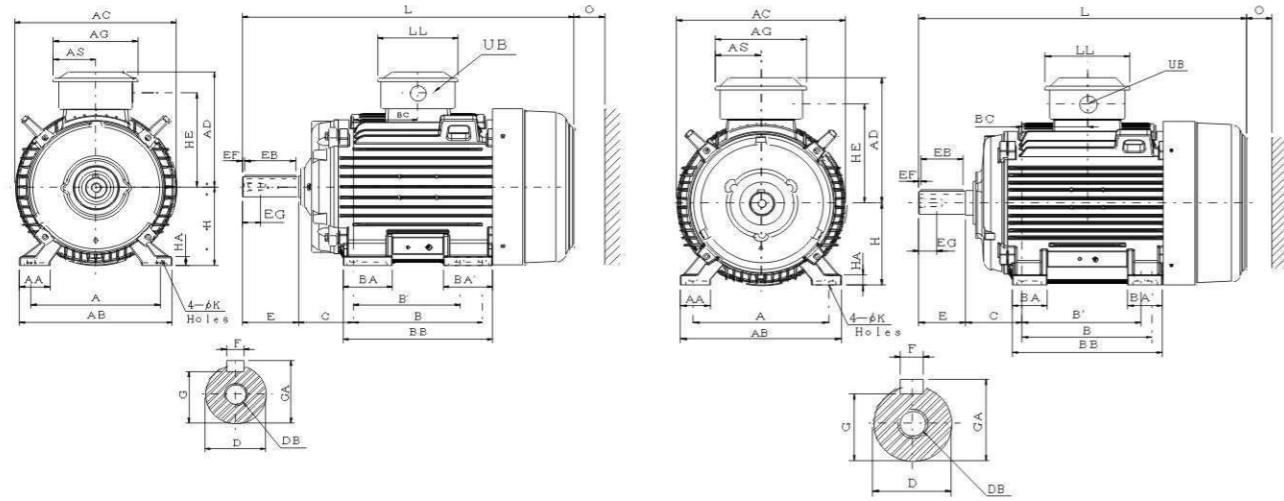


FIG.4

FIG.5

Dimension in mm

Output (kW)				FRAME SIZE	FIG. NO.	Dimension in mm																		
2P	4P	6P	---			A	AA	AB	AC	AD	AG	AS	B	B'	BA	BA'	BB	BC	C	H	HA	HE	K	
11	11	7.5	---	160M	4	254	60	300	317	234	166	83	210	---	57	57	250	105	108	160	18	192	14.5	
15	---	---	---			254	60	300	317	234	166	83	254	210	97	97	294	127	108	160	18	192	14.5	
18.5	15	11	---	160L		5	279	65	330	354	266	166	83	241	---	65	65	292	120.5	121	180	20	218	14.5
---	22	15	---	180L			279	65	330	354	266	166	83	279	241	115	115	330	139.5	121	180	20	218	14.5

FRAME SIZE	L	LL	O	UB	SHAFT EXTENSION								BEARING		
					D	E	EB	EF	EG	F	G	GA	DB	DRIVE END	OPPOSITE DRIVE END
160M	608	160	60	M32X1.5	42	110	100	5	36	12	37	45	M16	6309ZZ	6307ZZ
160L	652	160	60	M32X1.5	42	110	100	5	36	12	37	45	M16	6309ZZ	6307ZZ
180M	672	160	70	M32X1.5	48	110	100	5	36	14	42.5	51.5	M16	(6311ZZC3)	(6310ZZC3)
180L	710	160	70	M32X1.5	48	110	100	5	36	14	42.5	51.5	M16	6311ZZ	6310ZZ

- Note :**
1. Tolerance of shaft end diameter D :  $\phi 42 : k6$ .
  2. Tolerance of shaft center high H : +0, -0.5.
  3. Bearing No. In ( ) is for 2P.
  4. T-Box Assy with a cable grand body.
  5. TEV1 only refers to the installation size ,the outline will be slightly different (TEV1 仅参考安装尺寸, 外形会略有差异)



# 外形图 Outline

## 外形及安装尺寸图

安装方式: B3(IM 1001)

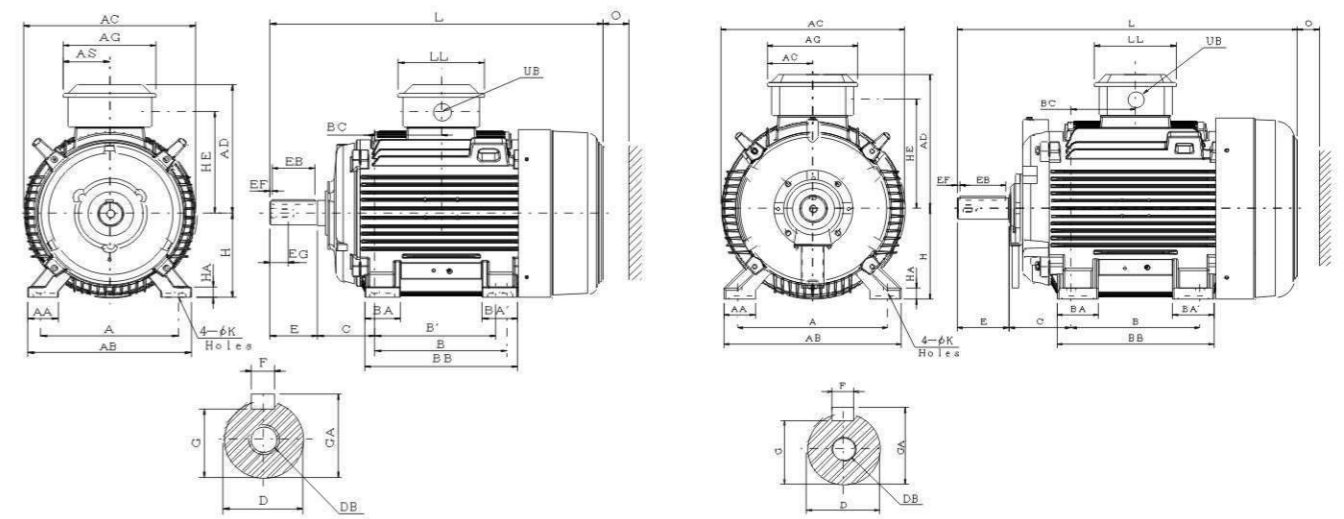


FIG.6

FIG.7

Dimension in mm

Output (kW)				FRAME SIZE	FIG. NO.	Dimension in mm																		
2P	4P	6P	---			A	AA	AB	AC	AD	AG	AS	B	B'	BA	BA'	BB	BC	C	H	HA	HE	K	
30	30	18.5	---	200L	6	318	70	378	398	304.5	215	107.5	305	---	82	82	353	152.5	133	200	24	241	18.5	
---	37	---	---			225SC	356	75	431	449	330.5	215	107.5	286	---	98.5	98.5	371	143	149	225	28	267	18.5
45	---	---	---	225MA		356	75	431	449	330.5	215	107.5	311	286	110	110	396	155.5	149	225	28	267	18.5	
---	45	30	---	225MC		356	75	431	449	330.5	215	107.5	311	286	110	110	396	155.5	149	225	28	267	18.5	
55	---	---	---	250MA		7	406	85	480	499	372.5	249	124.5	349	---	112.5	112.5	425	174.5	168	250	30	300	24
---	55	37	---				250MC	406	85	480	499	372.5	249	124.5	349	---	112.5	112.5	425	174.5	168	250	30	300

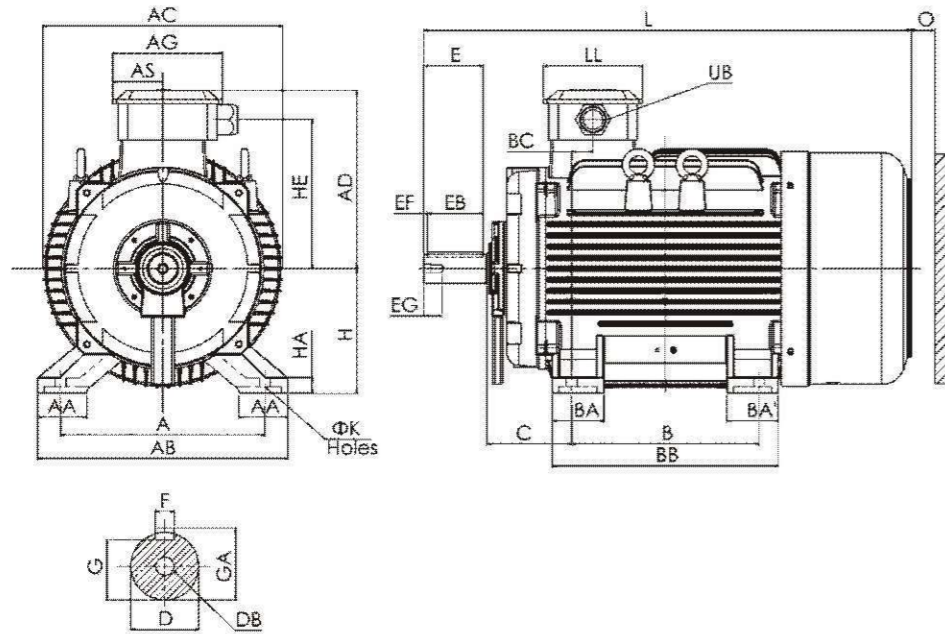
FRAME SIZE	L	LL	O	UB	SHAFT EXTENSION								BEARING		
					D	E	EB	EF	EG	F	G	GA	DB	DRIVE END	OPPOSITE DRIVE END
200L	770	199	80	M50X.15	55	110	100	5	42	16	49	59	M20	(6312ZZC3)	(6212ZZC3)
225SC	816	199	90	M50X1.5	60	140	125	7.5	42	18	53	64	M20	6312ZZ	6212ZZ
225MA	811	199	90	M50X1.5	55	110	100	5	42	16	49	59	M20	(6312ZZC3)	(6212ZZC3)
225MC	841	199	90	M50X1.5	60	140	125	7.5	42	18	53	64	M20	6313ZZ	6213ZZ
250MA	921	224	105	M63X1.5	60	140	125	7.5	42	18	53	64	M20	(6313-ZC3)	(6313-ZC3)
250MC	921	224	105	M63X1.5	65	140	125	7.5	42	18	58	69	M20	6315-Z	6313-Z

- Note :**
1. Tolerance of shaft end diameter D : m6.
  2. Tolerance of shaft center high H : +0, -0.5.
  3. Bearing No. In ( ) is for 2P.
  4. T-Box Assy with a cable grand body.
  5. TEV1 only refers to the installation size ,the outline will be slightly different (TEV1 仅参考安装尺寸, 外形会略有差异)

# 外形图 Outline

## 外形及安装尺寸图

安装方式: B3(IM 1001)



Dimension in mm

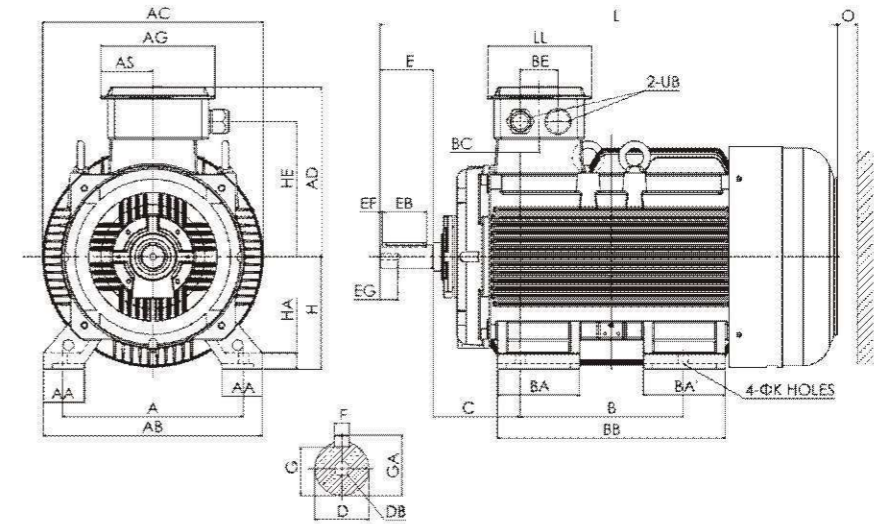
Output (kW)				FRAME SIZE	A	AA	AB	AC	AD	AG	AS	B	BA	BA'	BB	BC	C	H	HA	HE	K
2P	4P	6P	---		280SA	457	110	560	546	408.5	249	124.5	368	110	110	455	48	190	280	35	336
---	75	45	---	280SB	457	110	560	546	408.5	249	124.5	368	110	110	455	48	190	280	35	336	24
90	---	---	---	280MA	457	110	560	546	408.5	249	124.5	419	115	115	505	48	190	280	35	336	24
---	90	55	---	280MB	457	110	560	546	408.5	249	124.5	419	115	115	505	48	190	280	35	336	24
FRAME SIZE	L	LL	O	UB	SHAFT EXTENSION								BEARING								
					D	E	EB	EF	EG	F	G	GA	DB	DRIVE END	OPPOSITE DRIVE END						
280SA	1037.5	224	140	M63X1.5	65	140	125	7.5	40	18	58	69	M20	6314C3	6314C3						
280SB	1037.5	224	140	M63X1.5	75	140	125	7.5	40	20	67.5	79.5	M20	6318C3	6316C3						
280MA	1087.5	224	140	M63X1.5	65	140	125	7.5	40	18	58	69	M20	6314C3	6314C3						
280MB	1087.5	224	140	M63X1.5	75	140	125	7.5	40	20	67.5	79.5	M20	6318C3	6316C3						

- Note :**
1. Tolerance of Shaft End Diameter D : m6
  2. Tolerance of Shaft Center Height H: +0, -1
  3. Tolerance of Key Width F : h9
  4. T-Box Assy with a cable grand body.
  5. TEV1 only refers to the installation size ,the outline will be slightly different  
(TEV1 仅参考安装尺寸, 外形会略有差异)

安装方式: B3(IM 1001)

# 外形图 Outline

## 外形及安装尺寸图



Dimension in mm

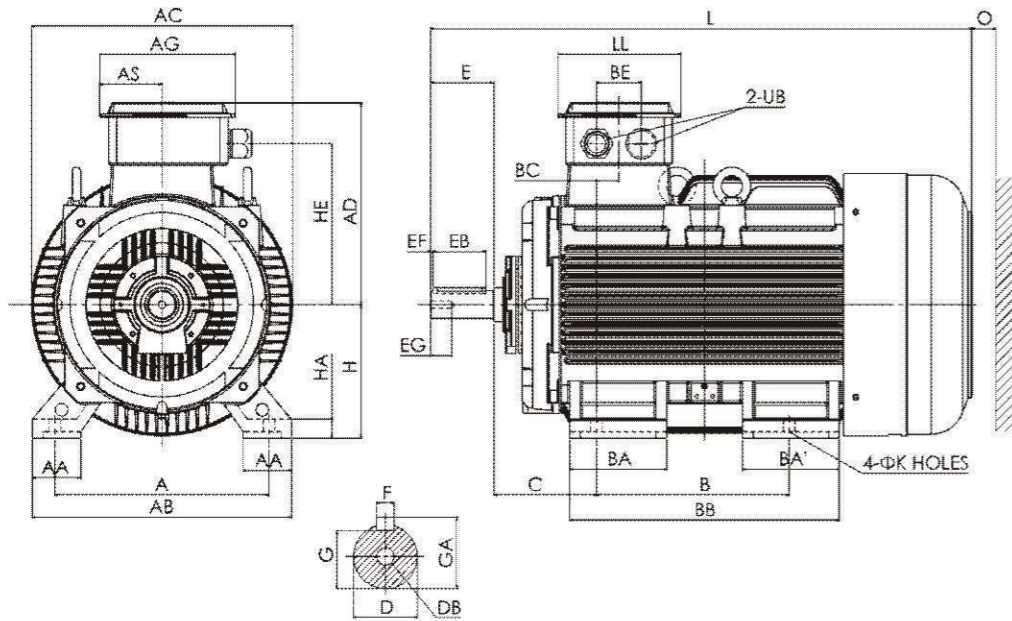
Output (kW)				FRAME SIZE	A	AA	AB	AC	AD	AG	AS	B	BA	BA'	BB	BC	BE	C	H	HA	HE
2P	4P	6P	---		315SA	508	115	615	560	456.5	318	144	406	180	180	580	53	106	216	315	35
---	110	75	---	315SB	508	115	615	560	456.5	318	144	406	180	180	580	53	106	216	315	35	359
FRAME SIZE	K	L	LL	O	UB	SHAFT EXTENSION								BEARING							
						D	E	EB	EF	EG	F	G	GA	DB	DRIVE END	OPPOSITE DRIVE END					
315SA	28	1162	288	180	M63X1.5	65	140	125	7.5	40	18	58	69	M20	6316C3	6314C3					
315SB	28	1192	288	180	M63X1.5	80	170	160	5	40	22	71	85	M20	6320C3	6316C3					

- Note :**
1. Tolerance of Shaft End Diameter D : m6
  2. Tolerance of Shaft Center Height H : +0, -1
  3. Tolerance of Key Width F : h9
  4. T-Box Assy with two cable grand bodys.
  5. TEV1 only refers to the installation size ,the outline will be slightly different  
(TEV1 仅参考安装尺寸, 外形会略有差异)

# 外形图 Outline

## 外形及安装尺寸图

安装方式: B3(IM 1001)



Dimension in mm

Output (kW)				FRAME SIZE	A	AA	AB	AC	AD	AG	AS	B	BA	BA'	BB	BC	BE	C	H	HA	HE
2P	4P	6P	---																		
132	---	---	---	315MA	508	115	630	620	481.5	318	144	457	230	230	640	53	106	216	315	45	384
---	132	90	---	315MB	508	115	630	620	481.5	318	144	457	230	230	640	53	106	216	315	45	384
FRAME SIZE	K	L	LL	O	UB	SHAFT EXTENSION								BEARING							
						D	E	EB	EF	EG	F	G	GA	DB	DRIVE END	OPPOSITE DRIVE END					
315MA	28	1246	288	180	M63X1.5	65	140	125	7.5	40	18	58	69	M20	6316C3	6314C3					
315MB	28	1276	288	180	M63X1.5	80	170	160	5	40	22	71	85	M20	6320C3	6316C3					

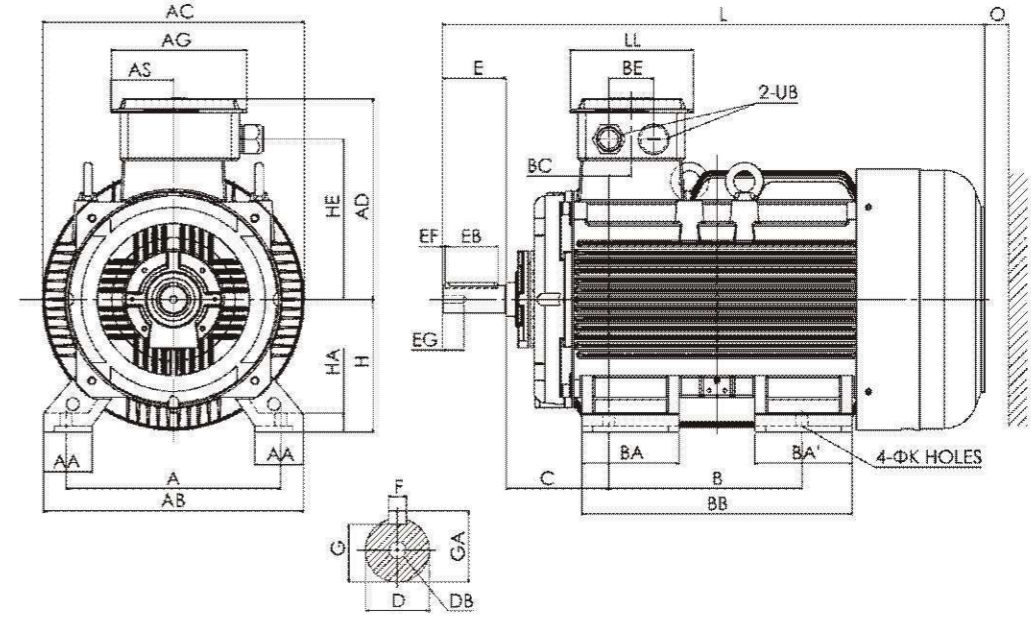
- Note :**
1. Tolerance of Shaft End Diameter D : m6
  2. Tolerance of Shaft Center Height H : +0, -1
  3. Tolerance of Key Width F : h9
  4. T-Box Assy with two cable grand bodys.
  5. TEV1 only refers to the installation size ,the outline will be slightly different  
(TEV1 仅参考安装尺寸, 外形会略有差异)



# 外形图 Outline

## 外形及安装尺寸图

安装方式: B3(IM 1001)



Dimension in mm

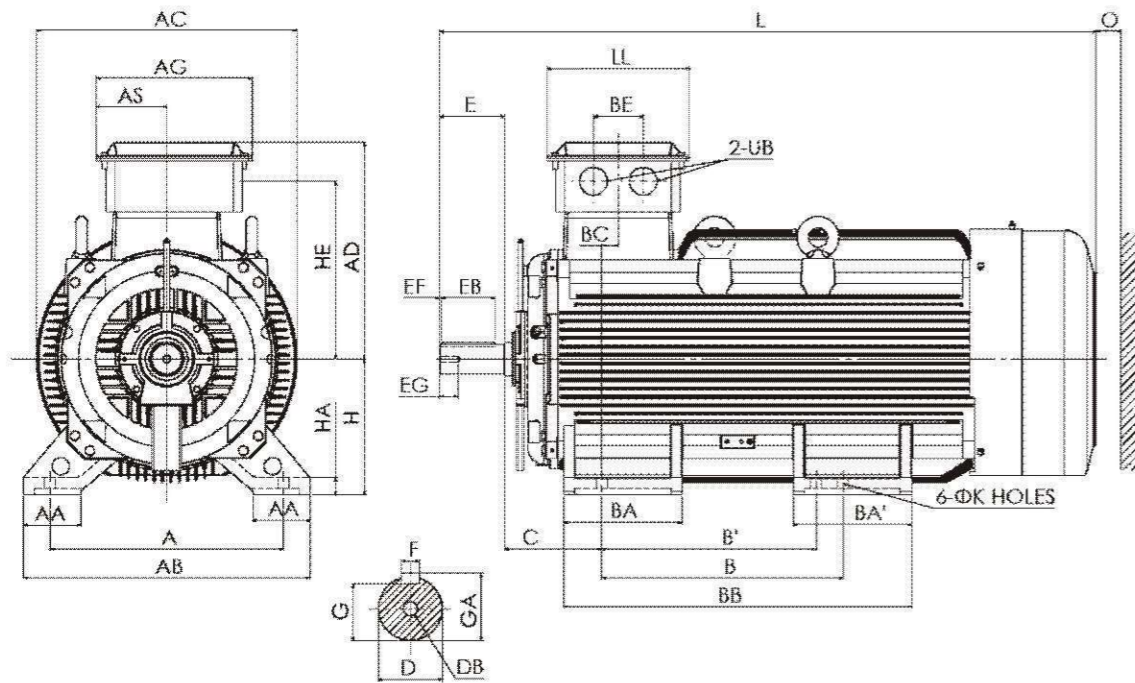
Output (kW)				FRAME SIZE	A	AA	AB	AC	AD	AG	AS	B	BA	BA'	BB	BC	BE	C	H	HA	HE
2P	4P	6P	---																		
160	---	---	---	315LA	508	130	630	620	481.5	318	144	508	230	230	740	53	106	216	315	45	384
---	160	110	---	315LB	508	130	630	620	481.5	318	144	508	230	230	740	53	106	216	315	45	384
---	200	132	---	315LB	508	130	630	620	481.5	318	144	508	230	230	740	53	106	216	315	45	384
FRAME SIZE	K	L	LL	O	UB	SHAFT EXTENSION								BEARING							
						D	E	EB	EF	EG	F	G	GA	DB	DRIVE END	OPPOSITE DRIVE END					
315LA	28	1346	288	180	M63X1.5	65	140	125	7.5	40	18	58	69	M20	6316C3	6314C3					
315LB	28	1376	288	180	M63X1.5	80	170	160	5	40	22	71	85	M20	6320C3	6316C3					

- Note :**
1. Tolerance of Shaft End Diameter D : m6
  2. Tolerance of Shaft Center Height H : +0, -1
  3. Tolerance of Key Width F : h9
  4. T-Box Assy with two cable grand bodys.
  5. TEV1 only refers to the installation size ,the outline will be slightly different  
(TEV1 仅参考安装尺寸, 外形会略有差异)

# 外形图 Outline

## 外形及安装尺寸图

安装方式: B3(IM 1001)



Dimension in mm

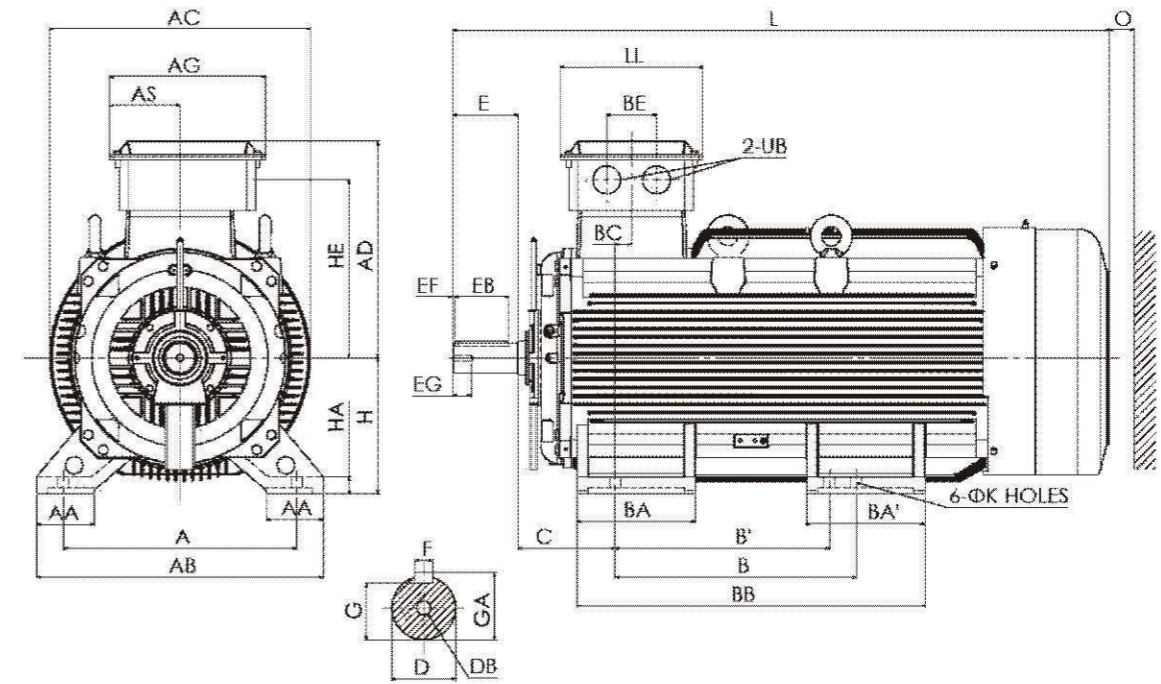
Output (kW)				FRAME SIZE	A	AA	AB	AC	AD	AG	AS	B	B'	BA	BA'	BB	BC	BE	C	H	HA
2P	4P	6P	---																		
250	---	---	---	355MA	610	150	750	682	573	408	184	---	560	310	310	910	43	130	254	355	45
---	250	160 200	---	355MB	610	150	750	682	573	408	184	---	560	310	310	910	43	130	254	355	45
FRAME SIZE	HE	K	L	LL	O	UB	SHAFT EXTENSION						BEARING								
							D	E	EB	EF	EG	F	G	GA	DB	DRIVE END	OPPOSITE DRIVE END				
355MA	469	28	1687	372	230	M72X2	75	140	125	7.5	40	20	67.5	79.5	M20	6317C3	6317C3				
355MB	469	28	1717	372	230	M72X2	95	170	160	5	48	25	86	100	M24	6322C3	6322C3				

- Note :**
1. Tolerance of Shaft End Diameter D : m6
  2. Tolerance of Shaft Center Height H : +0, -1
  3. Tolerance of Key Width F : h9
  4. T-Box Assy with two cable grand bodys.
  5. TEV1 only refers to the installation size ,the outline will be slightly different  
(TEV1 仅参考安装尺寸, 外形会略有差异)

# 外形图 Outline

## 外形及安装尺寸图

安装方式: B3(IM 1001)



Dimension in mm

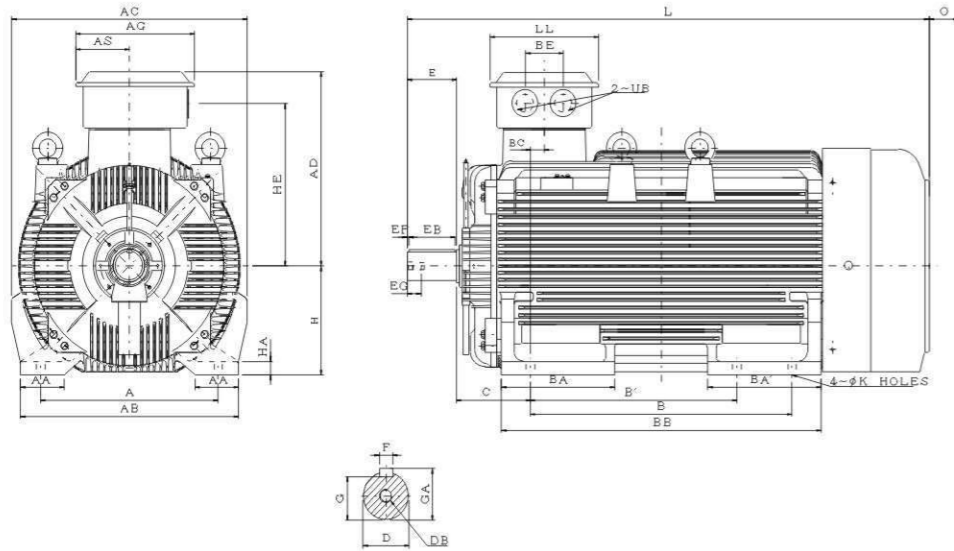
Output (kW)				FRAME SIZE	A	AA	AB	AC	AD	AG	AS	B	B'	BA	BA'	BB	BC	BE	C	H	HA
2P	4P	6P	---																		
315	---	---	---	355LA	610	150	750	682	573	408	184	630	---	310	310	910	43	130	254	355	45
---	315	250	---	355LB	610	150	750	682	573	408	184	630	---	310	310	910	43	130	254	355	45
FRAME SIZE	HE	K	L	LL	O	UB	SHAFT EXTENSION						BEARING								
							D	E	EB	EF	EG	F	G	GA	DB	DRIVE END	OPPOSITE DRIVE END				
355LA	469	28	1687	372	230	M72X2	75	140	125	7.5	40	20	67.5	79.5	M20	6317C3	6317C3				
355LB	469	28	1717	372	230	M72X2	95	170	160	5	48	25	86	100	M24	6322C3	6322C3				

- Note :**
1. Tolerance of Shaft End Diameter D : m6
  2. Tolerance of Shaft Center Height H : +0, -1
  3. Tolerance of Key Width F : h9
  4. T-Box Assy with two cable grand bodys.
  5. TEV1 only refers to the installation size ,the outline will be slightly different  
(TEV1 仅参考安装尺寸, 外形会略有差异)

# 外形图 Outline

## 外形及安装尺寸图

安装方式: B3(IM 1001)



Dimension in mm

Output (kW)				FRAME SIZE	A	AA	AB	AC	AD	AG	AS	B'	B	BA	BA'	BB	BC	BE	C	H	HA
2P	4P	6P	---																		
355	---	---	---	355CA	610	150	750	810	633	408	184	710	900	390	390	1100	48	180	254	355	45
---	355	315	---	355CB	610	150	750	810	633	408	184	710	900	390	390	1100	48	180	254	355	45
FRAME SIZE	HE	K	L	LL	O	UB	SHAFT EXTENSION							BEARING							
							D	E	EB	EF	EG	F	G	GA	DB	DRIVE END	OPPOSITE DRIVE END				
355CA	529	28	1765	372	230	M72X2	75	140	125	7.5	40	20	67.5	79.5	M20	6317C3	6317C3				
355CB	529	28	1795	372	230	M72X2	95	170	160	5	48	25	86	100	M24	6322C3	6322C3				

- Note :**
1. Tolerance of Shaft End Diameter D : m6
  2. Tolerance of Shaft Center Height H : +0, -1
  3. Tolerance of Key Width F : h9
  4. T-Box Assy with two cable grand bodies.
  5. TEV1 only refers to the installation size ,the outline will be slightly different  
(TEV1 仅参考安装尺寸, 外形会略有差异)



安装方式: B5(IM 3001)

# 外形图 Outline

## 外形及安装尺寸图

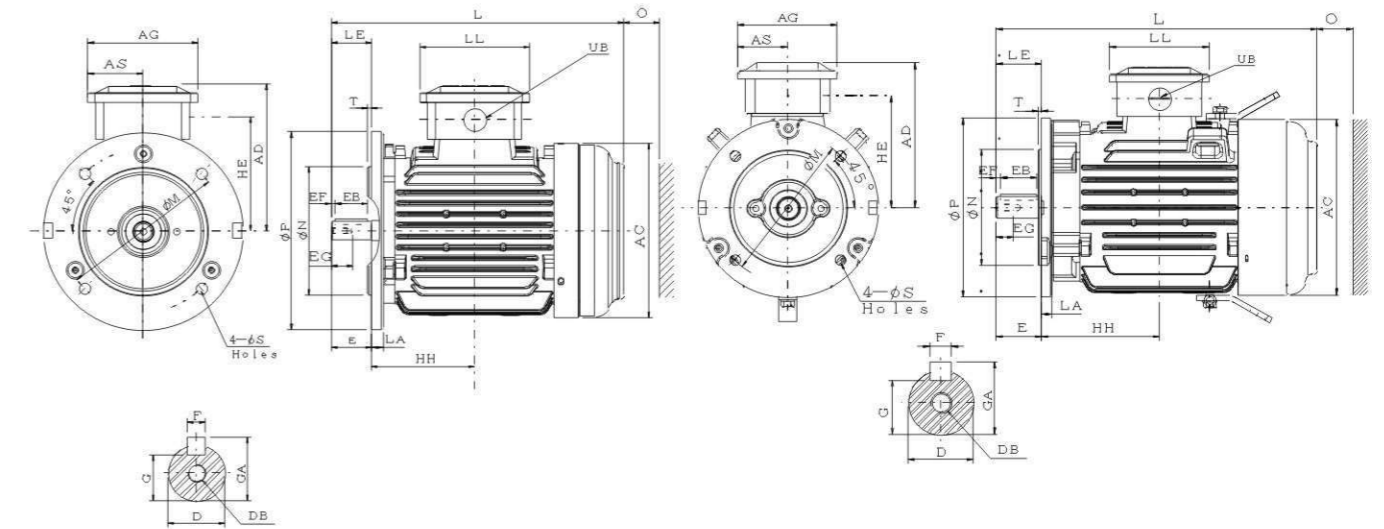


FIG.1

FIG.2

Dimension in mm

Output (kW)				FRAME SIZE	FIG. NO.	FLANGE DIMENSION							AC	AD	AG	AS	HE	HH	L
2P	4P	6P	---			LA	LE	M	N	P	S	T							
0.75	0.55	---	---	80M	1	12	40	165	130	200	12	3.5	177	152	110	55	115	103.5	292
1.1	0.75	0.55	---	90S	2	12	50	165	130	200	12	3.5	197	162	110	55	125	125.5	344
1.5	1.1	0.75	---			12	50	165	130	200	12	3.5	197	162	110	55	125	130.5	354
2.2	1.5	1.1	---	90L	2	12	50	165	130	200	12	3.5	197	162	110	55	125	130.5	354
FRAME SIZE	LL	O	UB	SHAFT EXTENSION							BEARING								
				D	E	EB	EF	EG	F	G	GA	DB	DRIVE END	OPPOSITE DRIVE END					
80M	110	40	M20X1.5	19	40	32	4	16	6	15.5	21.5	M6	6204ZZ	6203ZZ					
90S	110	40	M20X1.5	24	50	40	5	19	8	20	27	M8	6205ZZ	6204ZZ					
90L	110	40	M20X1.5	24	50	40	5	19	8	20	27	M8	6205ZZ	6204ZZ					

- Note :**
1. Tolerance of shaft end diameter D: j6.
  2. Tolerance of N : j6.
  3. T-Box Assy with a cable grand body.
  4. TEV1 only refers to the installation size ,the outline will be slightly different  
(TEV1 仅参考安装尺寸, 外形会略有差异)

# 外形图 Outline

## 外形及安装尺寸图

安装方式: B5(IM 3001)

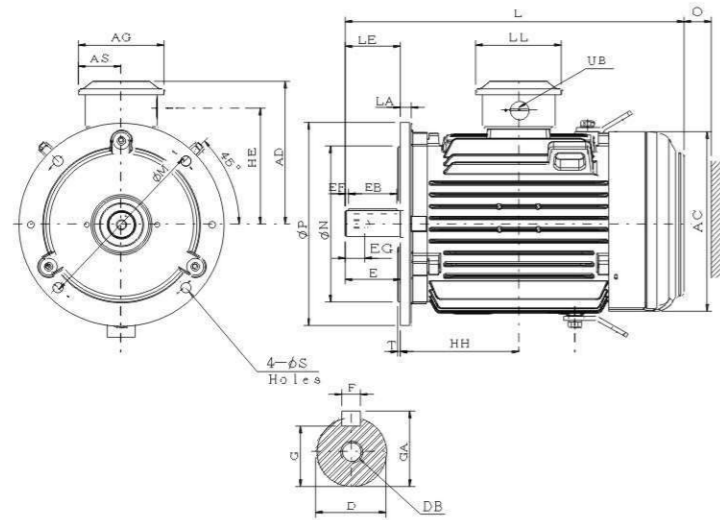


FIG.3

Dimension in mm

Output (kW)				FRAME SIZE	FIG. NO.	FLANGE DIMENSION							AC	AD	AG	AS	HE	HH	L	LL	O
2P	4P	6P	---			LA	LE	M	N	P	S	T									
3	2.2	1.5	---	100L		16	60	215	180	250	14.5	4	219	178.5	127	63.5	138	135.5	391	120	50
---	3	---	---																		
4	4	2.2	---	112M		15	60	215	180	250	14.5	4	235	191	127	63.5	150.5	145	412.5	120	50
5.5	5.5	3	---	132S	3	16	80	265	230	300	14.5	4	273	208.5	127	63.5	168	154	456	120	50
7.5	---	---	---																		
---	7.5	4	---	132M		16	80	265	230	300	14.5	4	273	208.5	127	63.5	168	173	494	120	50
---	---	5.5	---																		

FRAME SIZE	UB	SHAFT EXTENSION							BEARING			
		D	E	EB	EF	EG	F	G	GA	DB	DRIVE END	OPPOSITE DRIVE END
100L	M25X1.5	28	60	50	5	22	8	24	31	M10	6206ZZ	6205ZZ
112M	M25X1.5	28	60	50	5	22	8	24	31	M10	6306ZZ	6305ZZ
132S	M25X1.5	38	80	70	5	28	10	33	41	M12	6308ZZ	6306ZZ
132M	M25X1.5	38	80	70	5	28	10	33	41	M12	6308ZZ	6306ZZ

- Note :**
1. Tolerance of shaft end diameter D :  $\phi 28 : j6$ ,  $\phi 38:k6$ .
  2. Tolerance of N : j6.
  3. T-Box Assy with a cable grand body.
  4. TEV1 only refers to the installation size ,the outline will be slightly different (TEV1 仅参考安装尺寸, 外形会略有差异)



# 外形图 Outline

## 外形及安装尺寸图

安装方式: B5(IM 3001)

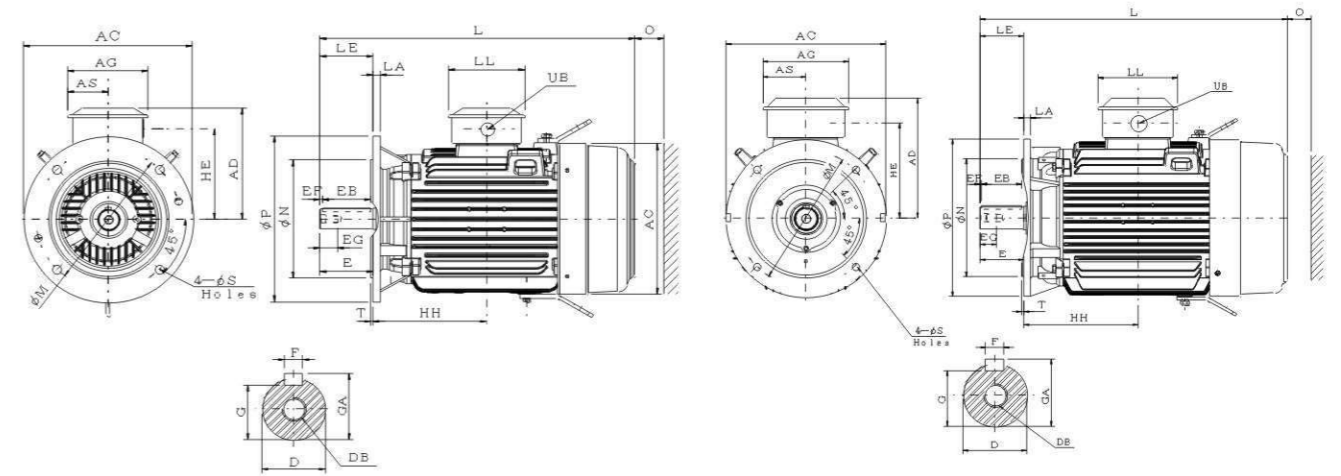


FIG.4

FIG.5

Dimension in mm

Output (kW)				FRAME SIZE	FIG. NO.	FLANGE DIMENSION							AC	AD	AG	AS	HE	HH	L	LL	O
2P	4P	6P	---			LA	LE	M	N	P	S	T									
11	11	7.5	---	160M	4	15	110	300	250	350	18.5	5	350	234	166	83	192	213	608	160	60
18.5	15	11	---			160L		15	110	300	250	350	18.5	5	350	234	166	83	192	235	652
22	18.5	---	---	180M	5	15	110	300	250	350	18.5	5	354	266	166	83	218	241.5	672	160	70
---	22	15	---			180L		15	110	300	250	350	18.5	5	354	266	166	83	218	260.5	710
30	30	18.5	---	200L		17	110	350	300	400	18.5	5	400	304.5	215	107.5	241	285.5	770	199	80
37	---	22	---																		

FRAME SIZE	UB	SHAFT EXTENSION							BEARING			
		D	E	EB	EF	EG	F	G	GA	DB	DRIVE END	OPPOSITE DRIVE END
160M	M32X1.5	42	110	100	5	36	12	37	45	M16	6309ZZ	6307ZZ
160L	M32X1.5	42	110	100	5	36	12	37	45	M16	6309ZZ	6307ZZ
180M	M32X1.5	48	110	100	5	36	14	42.5	51.5	M16	(6311ZZC3)	(6310ZZC3)
180L	M32X1.5	48	110	100	5	36	14	42.5	51.5	M16	6311ZZ	6310ZZ
200L	M50X1.5	55	110	100	5	42	16	49	59	M20	(6312ZZC3)	(6212ZZC3)
											6312ZZ	6212ZZ

- Note :**
1. Tolerance of shaft end diameter D : a)  $\phi 42 \sim \phi 48 : k6$ ; b)  $\phi 55 : m6$ .
  2. Tolerance of N : j6
  3. Bearing No. In ( ) is for 2P.
  4. T-Box Assy with a cable grand body.
  5. TEV1 only refers to the installation size ,the outline will be slightly different (TEV1 仅参考安装尺寸, 外形会略有差异)

# 外形图 Outline

## 外形及安装尺寸图

安装方式: B5(IM 3001)

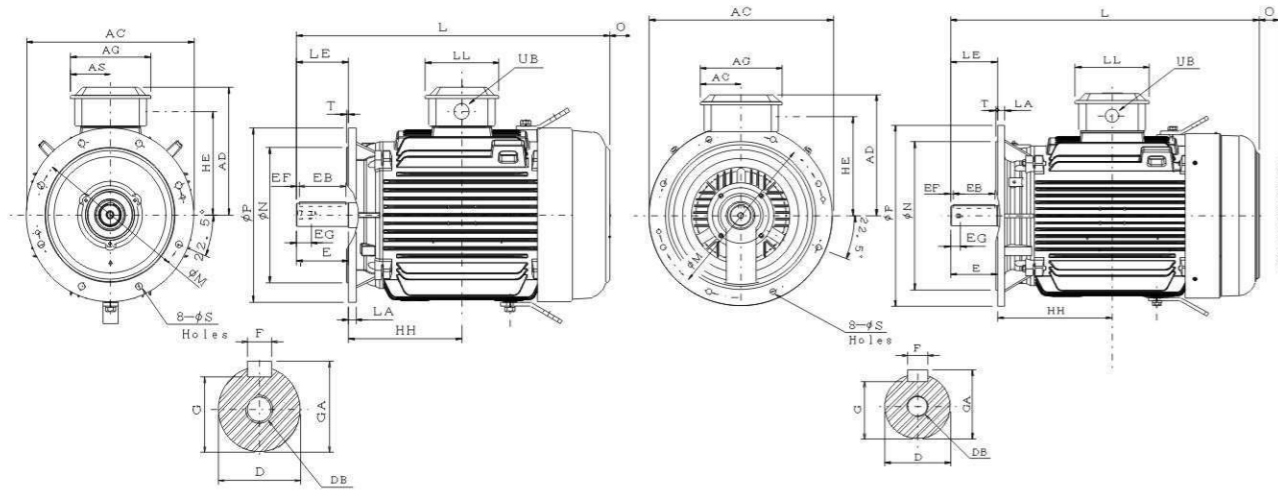


FIG.6

FIG.7

Dimension in mm

Output (kW)				FRAME SIZE	FIG. NO.	FLANGE DIMENSION								AC	AD	AG	AS	HE	HH	L
2P	4P	6P	---			LA	LE	M	N	P	S	T								
---	37	---	---	225SC	6	20	140	400	350	450	18.5	5	450	330.5	215	107.5	267	292	816	
45	---	---	---	225MA		20	110	400	350	450	18.5	5	450	330.5	215	107.5	267	304.5	811	
---	45	30	---	225MC		20	140	400	350	450	18.5	5	450	330.5	215	107.5	267	304.5	841	
55	---	---	---	250MA	7	22	140	500	450	550	18.5	5	550	372.5	249	124.5	300	342.5	921	
---	55	37	---	250MC		22	140	500	450	550	18.5	5	550	372.5	249	124.5	300	342.5	921	

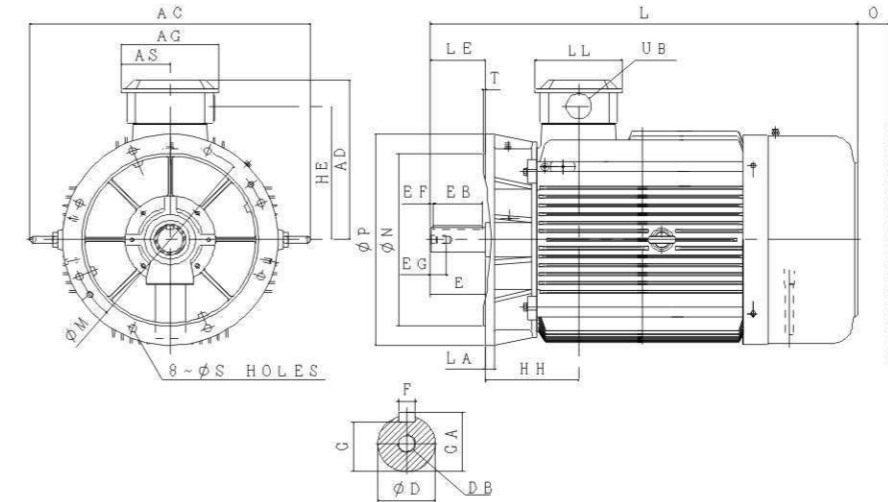
FRAME SIZE	LL	O	UB	SHAFT EXTENSION								BEARING		
				D	E	EB	EF	EG	F	G	GA	DB	DRIVE END	OPPOSITE DRIVE END
225SC	199	90	M50X1.5	60	140	125	7.5	42	18	53	64	M20	(6312ZZC3) 6313ZZ	(6212ZZC3) 6213ZZ
225MA	199	90	M50X1.5	55	110	100	5	42	16	49	59	M20		
225MC	199	90	M50X1.5	60	140	125	7.5	42	18	53	64	M20		
250MA	224	105	M63X1.5	60	140	125	7.5	42	18	53	64	M20	6313-ZC3	6313-ZC3
250MC	224	105	M63X1.5	65	140	125	7.5	42	18	58	69	M20	6315-Z	6313-Z

- Note :**
1. Tolerance of shaft end diameter D : m6.
  2. Tolerance of N : j6.
  3. Bearing No. In ( ) is for 2P.
  4. T-Box Assy with a cable grand body.
  5. TEV1 only refers to the installation size ,the outline will be slightly different  
(TEV1 仅参考安装尺寸, 外形会略有差异)

# 外形图 Outline

## 外形及安装尺寸图

安装方式: B5(IM 3001)



Dimension in mm

Output (kW)				FRAME SIZE	FLANGE DIMENSION								AC	AD	AG	AS	HE	HH	L
2P	4P	6P	---		LA	LE	M	N	P	S	T								
75	---	---	---	280SA	22	140	500	450	550	18.5	5	709	408.5	249	124.5	335	238	1037.5	
---	75	45	---	280SB	22	140	500	450	550	18.5	5	709	408.5	249	124.5	335	238	1037.5	
90	---	---	---	280MA	22	140	500	450	550	18.5	5	709	408.5	249	124.5	335	238	1087.5	
---	90	55	---	280MB	22	140	500	450	550	18.5	5	709	408.5	249	124.5	335	238	1087.5	

FRAME SIZE	LL	O	UB	SHAFT EXTENSION								BEARING		
				D	E	EB	EF	EG	F	G	GA	DB	DRIVE END	OPPOSITE DRIVE END
280SA	224	140	M63X1.5	65	140	125	7.5	40	18	58	69	M20	6314C3	6314C3
280SB	224	140	M63X1.5	75	140	125	7.5	40	20	67.5	79.5	M20	6318C3	6316C3
280MA	224	140	M63X1.5	65	140	125	7.5	40	18	58	69	M20	6314C3	6314C3
280MB	224	140	M63X1.5	75	140	125	7.5	40	20	67.5	79.5	M20	6318C3	6316C3

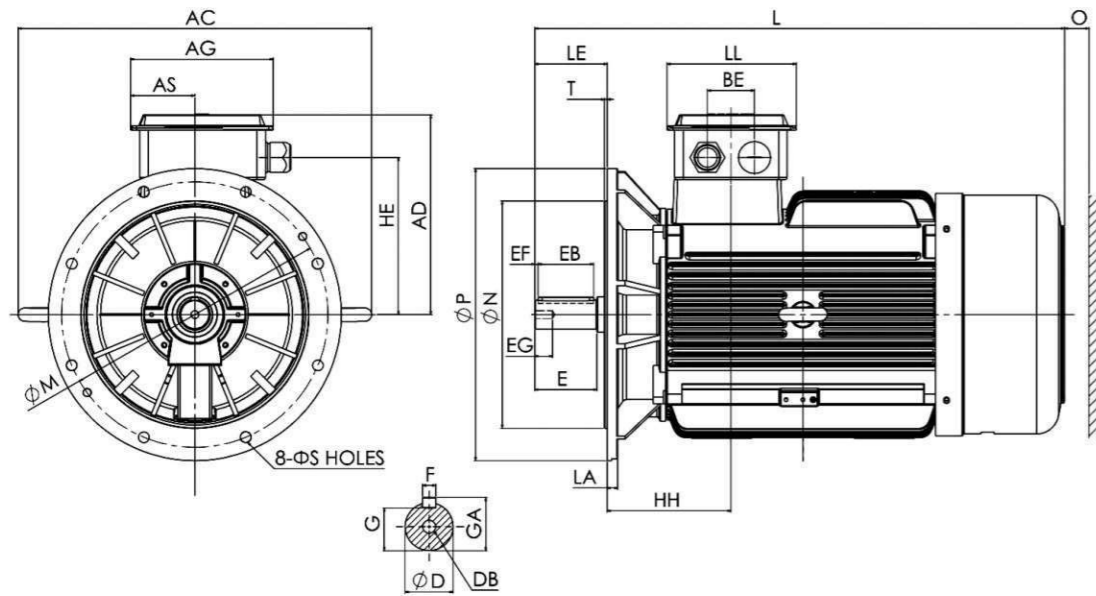
- NOTE :**
1. Tolerance of Shaft End Diameter D : m6
  2. Tolerance of Key Width F : h9
  3. Tolerance of N : j6
  4. T-Box Assy with a cable grand body.
  5. TEV1 only refers to the installation size ,the outline will be slightly different  
(TEV1 仅参考安装尺寸, 外形会略有差异)



# 外形图 Outline

## 外形及安装尺寸图

安装方式: B5(IM 3001)



Dimension in mm

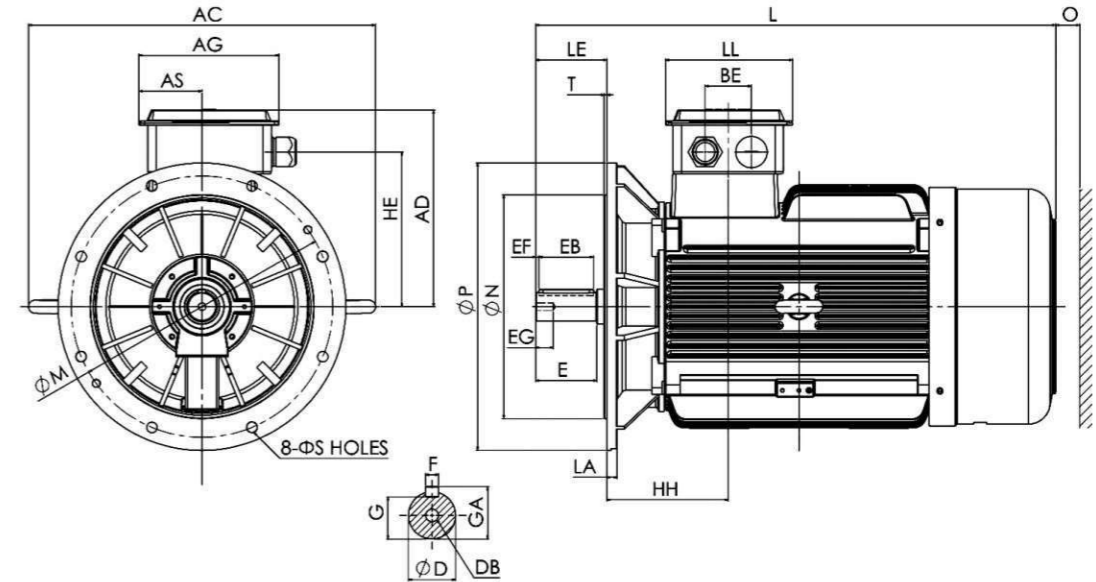
Output (kW)				FRAME SIZE	FLANGE DIMENSION								AC	AD	AG	AS	BE	HE	HH	L	LL	O
2P	4P	6P	---		LA	LE	M	N	P	S	T											
110	---	---	---	315SA	25	140	600	550	660	24	6	715	456.5	318	144	106	359	269	1162	288	180	
---	110	75	---	315SB	25	170	600	550	660	24	6	715	456.5	318	144	106	359	269	1192	288	180	
FRAME SIZE	UB	SHAFT EXTENSION										BEARING										
		D	E	EB	EF	EG	F	G	GA	DB	DRIVE END	OPPOSITE DRIVE END										
315SA	M63X1.5	65	140	125	7.5	40	18	58	69	M20	6316C3	6314C3										
315SB	M63X1.5	80	170	160	5	40	22	71	85	M20	6320C3	6316C3										

- Note :**
1. Tolerance of Shaft End Diameter D : m6
  2. Tolerance of Key Width F : h9
  3. Tolerance of N : js6
  4. T-Box Assy with two cable grand bodys.
  5. TEV1 only refers to the installation size ,the outline will be slightly different  
(TEV1 仅参考安装尺寸, 外形会略有差异)

# 外形图 Outline

## 外形及安装尺寸图

安装方式: B5(IM 3001)



Dimension in mm

Output (kW)				FRAME SIZE	FLANGE DIMENSION								AC	AD	AG	AS	BE	HE	HH	L	LL	O
2P	4P	6P	---		LA	LE	M	N	P	S	T											
132	---	---	---	315MA	25	140	600	550	660	24	6	769	481.5	318	144	106	384	269	1246	288	180	
---	132	90	---	315MB	25	170	600	550	660	24	6	769	481.5	318	144	106	384	269	1276	288	180	
FRAME SIZE	UB	SHAFT EXTENSION										BEARING										
		D	E	EB	EF	EG	F	G	GA	DB	DRIVE END	OPPOSITE DRIVE END										
315MA	M63X1.5	65	140	125	7.5	40	18	58	69	M20	6316C3	6314C3										
315MB	M63X1.5	80	170	160	5	40	22	71	85	M20	6320C3	6316C3										

- Note :**
1. Tolerance of Shaft End Diameter D : m6
  2. Tolerance of Key Width F : h9
  3. Tolerance of N : js6
  4. T-Box Assy with two cable grand bodys.
  5. TEV1 only refers to the installation size ,the outline will be slightly different  
(TEV1 仅参考安装尺寸, 外形会略有差异)